

Do religiosity and knowledge affect the attitude and intention to use halal cosmetic products? evidence from Indonesia

Monicha Divianjella¹, Istyakara Muslichah^{1*}, Zafirah Hanoum Ahmad Ariff²

¹ Department of Management, Faculty of Business and Economics, Universitas Islam Indonesia, Yogyakarta, Indonesia

² Graduate School of Business, Universiti Kebangsaan Malaysia, Selangor, Malaysia

*Corresponding author: istyakara@uii.ac.id

Article History

Received, 14 October 2020

Revised 1, 28 October 2020

Revised 2, 3 November 2020

Accepted, 5 November 2020

Abstract

Purpose: This study aims to examine the roles of religiosity and knowledge on attitude formation towards Halal cosmetic products. The attitude toward Halal cosmetic products will then be further investigated to determine whether it affects the intention to purchase Halal cosmetics in the domestic cosmetic industry in Indonesia.

Methodology: This study utilized the purposive sampling method to collect the data. A total of 150 Indonesian Muslim consumers who have previously used Halal cosmetic products participated in this survey. Structural equation modeling was used to test the hypotheses in this study.

Findings: The results showed that both religiosity and product knowledge significantly impact attitude towards using Halal cosmetics products. Interestingly, the findings revealed that product knowledge has a higher impact on attitude compared to religiosity. More importantly, attitude towards Halal cosmetics also showed a positive effect on the intention to use Halal cosmetics products.

Originality: Previous research in the Malaysian context conducted by Abd Rahman *et al.* (2015) and Suki and Suki (2018) formed as the basis of this study. Although the same theme and hypotheses were incorporated, however, the current study was examined in a different market setting and on a different set of respondents (i.e., Indonesian Halal market).

Keywords: Attitude, halal cosmetics, intention to use, product knowledge, religiosity

Cite this article:

Divianjela, M., Muslichah, I. & Ariff, Z. (2020). Do religiosity and knowledge affect the attitude and intention to use halal cosmetic products? Evidence from Indonesia. *Asian Journal of Islamic Management*, 2(2), 71-81. <https://doi.org/10.1108/AJIM.vol2.iss2.art1>



Center for Islamic Economics
Studies and Development, Faculty
of Economics, Universitas Islam
Indonesia

DOI:

10.1108/AJIM.vol2.iss2.art1

Introduction

The Halal industry has undergone an evolution and has expanded well beyond the food sector to include lifestyle in recent years. This way of life has not only altered the way consumers purchase many products but also the way some businesses operate today. The change is evident in that; Halal lifestyle has spread throughout the world (Wilson, 2014) to include countries such as America,

Australia, Japan, China, India, and Latin America (Hidayat & Siradj, 2015). The emerging of the Halal lifestyle has provided evidence that the number of the Muslim population worldwide has increased. According to Ireland and Rajabzadeh (2011), the global Muslim population accounts for 1.6 billion or 23 percent of the world's population. As for the global industry for Halal food and Halal lifestyle, the market is estimated at \$ 2.47 trillion in 2018 (Abd Rahman *et al.*, 2015). According to data from the State of The Global Islamic Economy 2014-2015, the five industrial fields that continue to show progress in the Halal business context include Islamic financial services, Halal food, Muslim clothing, Halal tourism as well as Halal pharmaceuticals and cosmetics (Hidayat & Siradj, 2015). Of the five fields, the cosmetics and personal care sectors have emerged as one of the most prominent and fastest-growing markets. For example, it was reported that in 2017, Muslim consumers spent US\$61 billion on the consumption of Halal cosmetics, and this expenditure is expected to grow to US\$ 90 billion in 2023 (State of the Global Islamic Economy, 2018 Report).

The research in the area of Halal cosmetics is still sparse and fragmented. For example, Ahmad *et al.* (2015) investigated the knowledge and religiosity towards Halal cosmetics among Malaysian Muslim consumers found that religiosity fared better than knowledge on attitude towards Halal cosmetics products. Other research in the Malaysian consumers' context, which form the basis of this study, was conducted by Abd Rahman *et al.* (2015), and Suki and Suki (2018). Their research on the relationship between religiosity and knowledge towards the formation of attitude on Halal cosmetic products found that only religiosity influenced attitude. Additionally, their research also revealed that there is a positive influence between attitude and intention to purchase Halal cosmetic products. Aoun and Tournois (2015), on the other hand, discussed about Halal cosmetics and toiletries issue with regards to building brands for faith-based products. In addition, Shahid *et al.* (2018) investigated a qualitative study on Muslim consumers in India and found that factors such as religiosity, awareness of Halal products as well as Halal certification, and growing education levels influence Halal products consumption. More recently, Suparno (2020) conducted a study in an online context found that individual religiosity and hedonic shopping value exert a positive influence on all attitude types, and these attitudes were found to influence online purchase intention of Halal cosmetic products among Indonesian Muslims. Apart from these prior studies, relatively less is known about the Indonesian market regarding Halal cosmetic products.

A country with the largest Muslim population in the world, Indonesia accounts for 12.6% of the world's Muslim population (Diamant 2019). However, even with the world's largest Muslim population, public awareness in choosing, purchasing, and consuming Halal products is still low among Indonesian Muslims. The low level of awareness is due to several factors. First, the amount of cosmetic products that have received the Halal certification from the Institute for the Study of Food, Drugs, and Cosmetics of the Indonesian Ulema Council (LPPOM MUI) is minimal. It happened because most foreign cosmetic brands have yet to receive the Halal certification from LPPOM MUI (Endah, 2014). With limited foreign cosmetic brands being granted the Halal certification, Indonesian consumers' purchase intention has so far been unfavorable. This poses a problem as Listyoningrum and Albari (2012) have stated that products that are considered to provide Halal product guarantee can lead to consumer intention to purchase.

Further, a survey conducted by the Sigma Indonesia Research Institute on 1200 Indonesian women between the ages of 15-55 revealed that respondents include Halal certification in the top tier (i.e., top five) of their consideration sets when purchasing cosmetics products (Sigma Research Indonesia, 2018) (Refer Table 1). Second, the low level of consumer awareness in purchasing and using Halal cosmetics is due to consumer skepticism regarding the ingredients used in the product itself (Sadzalia 2015). This is because an increased number of cases can be observed of late regarding the non-halal ingredients being used in the cosmetic products available in the marketplace. For example, one of the world's cosmetic giant, L'Oreal, has been faced with an accusation that some of its products contain questionable ingredients derived from pork fats (Kamaruzaman, 2008). Cases such as these are serious matters, especially among Muslims, as they "want to be certain that the cosmetic and personal care products they use are Halal compliant" (Hashim & Mat Hashim, 2013).

Table 1. Female consumers' considerations in purchasing cosmetic products in Indonesia

No	Considerations	%
1.	Ingredients	79.4%
2	Durability	67.4%
3	Texture	62.2%
4	Color options	59.2%
5	Halal certification	58.3%
6	Price	51.5%
7	Handy	40.2%
8	Packaging	27.7%
9	Organic	23.5%
10	Current trend	22.9%
11	Advertisement	9.8%
12	Others	0.4%

Source: Sigma Research Indonesia, 2018

Halal is an Arabic word, quoted explicitly in the Qur'an, which means "permitted" and "lawful" (Wilson & Liu, 2010; Aji, 2019). The term halal has a broader meaning and refers strictly to Islamic Shariah. Jaelani (2017) stated that in Islam, the halal concept "has a particular motive as to preserve the purity of religion, to maintain the mentality of Islam, to preserve life, to protect property, to protect future generations, to support dignity and integrity" (p. 5). This is in line with Wilson & Liu (2010) that halal is an important part of the Muslim belief system, a moral code of ethics with a strong ethical attitude that is integral in a Muslim's daily lives. On the contrary, haram refers to what is forbidden and is considered contrary to the will of God and Prophet Muhammad (Ambali & Bakar, 2014). For instance, gambling and adultery are things that are haram, while acts of kindness, charity, and cleanliness are halal (Alserhan, 2011). The concept of halal and haram "is part of the entire legal system of Islam" (Sugibayashi *et al.*, 2019, p.1).

In the Islamic context, to be a good Muslim, a person's daily activities of eating, drinking, socializing, purchasing, education, promoting, and so on must be in accordance with God's rules. (Alserhan, 2011). In short, Muslims must adhere to the Islamic rules and the concept of Halal must be implemented in every aspect of their lives. For example, every Muslim is obliged to consume Halal food. This has been made clear in the Al Qur'an in Surah Al Maidah verse 88, which states: "And eat food that is clean and good from what Allah has provided for you, and fear Allah, whom you believe in Him." However, the Halal concept is not only limited to food but may extend to "all consumables such as toiletries, pharmaceutical, cosmetics and services including finance" (Lada *et al.* 2009, p.36). According to Hashim and Mat Hashim (2011), the aspects of Halal for cosmetics and personal care products include "ingredients, all the processes involved in production right up to delivery to consumers, safety and product efficacy evaluations" (p. 281). However, Halal branding, specifically in cosmetics and personal care products, is a less discussed topic (Joshi and Garg 2020). In their study, Hashim and Mat Hashim (2011) stated that cosmetic products are used daily and are considered a necessity by many people for varying reasons such as personal hygiene, improving one's attractiveness, and protecting pollutants to slow down the aging process. Therefore, it is vital for marketers and practitioners to conduct further research in order to grasp an in-depth insight into the Halal cosmetics market segment, especially in a country with the largest Muslim population in the world.

In addressing the current limitation in the literature, this study examines Indonesian consumers' perceptions towards purchasing Halal cosmetic products and seeks to understand the relationship between religiosity, knowledge, attitude, and purchase intentions. Focusing on these issues relating to Halal cosmetics decision-making processes ensures a better understanding of the faith-based consumers with theoretical and practical contributions. This study also extends on Ajzen and Fishbein (1975, 1980) Theory of Reasoned Action (TRA) and develops a conceptual model that links knowledge and religiosity to attitude, which influences consumers' purchase

intention. In particular, the investigation of the effects of knowledge and religiosity on attitude and purchase intention will allow for the testing and validating of the 'attitude-intention' in the context of Halal cosmetic products.

Literature review

Religiosity and Attitude toward Halal Cosmetics

Religiosity refers to the degree of an individual's belief in God (McDaniel & Burnett, 1990). Since the degree of being religious can vary from one person to the other, the intensity of religious influence will vary between persons for Muslim consumers (Mukhtar and Butt 2012). According to Johnson (2001), an individual's religiosity is reflected in his/her attitude as well as behavior. Previous studies have shown a significant relationship between religiosity and the attitude of consumers in their consumption of Halal products such as Halal food (Ahmad *et al.*, 2013; Aji, 2017), Halal beef (Khibran, 2019), Halal cosmetics (Abd Rahman *et al.*, 2015, Suki and Suki 2018) as well as Islamic financial products (Souiden & Rani, 2015; Muslichah & Sanusi, 2019). Given that previous studies have confirmed the significant relationship between religiosity and attitude towards Halal cosmetics in different country settings, this study intends to test the relationship in the Indonesian market and hypothesizes the following:

H1: Religiosity positively affects attitude towards Halal cosmetics.

Knowledge and Attitude toward Halal Cosmetics

Knowledge can be defined as the facts, feelings, experiences (Abd Rahman *et al.*, 2015), or expertise and skills (Radzi *et al.*, 2011) that stick to an individual through theoretical or practical understanding of a subject. By acquiring knowledge, people have the ability to decide on their subsequent behaviors. Knowledge in this study context refers to Halal knowledge of the cosmetic products that are available in the marketplace. This knowledge is vital because it influences consumers' decision making on whether to accept or reject a particular product (Ireland & Rajabzadeh 2011).

Previous studies have provided evidence that knowledge positively influences attitude towards Halal products. For example, knowledge has shown a significant impact on Halal foods (Maichum *et al.*, 2017), Islamic financial services (Antara *et al.*, 2016; Muslichah & Sanusi, 2019) as well as Halal cosmetics (Abd Rahman *et al.*, 2015; Suki & Suki 2018). Given that knowledge and attitude towards Halal cosmetics have been confirmed in different country settings, this study intends to test the relationship in the Indonesian market and hypothesizes the following:

H2: Knowledge positively affects attitude towards Halal cosmetics.

Attitude and Intention Toward Halal Cosmetics

In their Theory of Reasoned Action, Fishbein and Ajzen (1975) explained that the antecedent of behavior is the intention. Fishbein *et al.* (1980) then defined attitude as "a person's general feeling of favourableness or unfavourableness for that behavior." This definition is in line with Peter & Olson (1999), which define attitude as a comprehensive evaluation of the concept carried out by a person. The affective and cognitive systems can create an evaluation. In general, attitude is defined as an evaluation of a person, suggesting that attitudes show what consumers like and dislike (Rochmanto & Widiyanto, 2015), indicating that when an individual has a positive feeling towards specific behavior, it can predict his or her actual behavior.

Previous studies agree that attitude has a positive impact on intention towards Halal products (Mukhtar & Butt, 2012). For instance, this relationship has been found in attitude and intention towards Halal food (Azam, 2016), Halal meat (Alam & Sayuti, 2011), Halal cosmetics (Abd Rahman *et al.*, 2015; Suki & Suki 2018), and Islamic financial products (Muslichah & Sanusi, 2019). Therefore, the study proposes the following:

H3: Attitude towards Halal cosmetic products positively affect purchase intention of Halal cosmetics products.

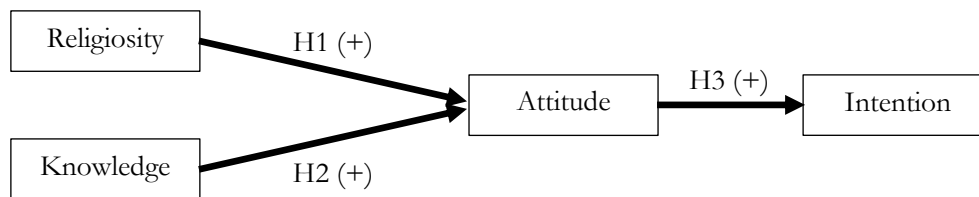


Figure 1. Research Model Adopted from Abd Rahman *et al.* (2015) and Suki and Suki (2018)

Methods

The data were collected using a structured self-administered online questionnaire in Java and Sumatra, Indonesia. The questionnaires were distributed using several social media platforms such as WhatsApp, Line, Instagram, and Facebook. A non-probability convenience sampling was adopted in this study. All questions were assessed using a five-point Likert scale ranging from 1 = “strongly disagree,” 2 = “disagree,” 3 = “neutral,” 4 = “agree” and 5 = “strongly agree.” A pilot run with 40 respondents excluded from the main study was conducted to test the questionnaire. From the test, two indicators were excluded from the questionnaire for the final survey. The final measurements consist of 24 indicators (see Table 2). In total, 150 respondents participated in the online survey.

Table 2. The Evaluation of Measurements

Constructs	Code	Indicators	Mean	Factor Loading	Cronbach's Alpha
Religiosity	RE1	I am happy and willing to pay zakat on time	3.74	0.74	0.866
	RE2	I pray 5 times a day	3.80	0.858	
	RE3	I always fast regularly in the month of Ramadan	3.80	0.804	
	RE4	I always avoid small and big sins	3.71	0.613	
	RE5	I always read the Koran regularly	3.67	0.766	
	RE6	I enjoy spending time with people who are Muslim	3.58	0.794	
	RE7	I often participate in religious talks at the mosque	3.71	0.837	
	RE8	I often read religious books and magazines	3.77	0.74	
	RE9	I often watch religious programs on TV	3.75	0.858	
Knowledge	PE1	I understand halal or haram information on body or skincare products according to sharia	3.64	0.836	0.866
	PE2	I feel that I have sufficient knowledge about skincare, which Islam prohibits	3.57	0.724	
	PE3	I have enough knowledge to distinguish between what is allowed and prohibited by sharia	3.59	0.704	
	PE4	I am aware of the current problem regarding the ingredients in the care product	3.62	0.683	
	PE5	I know about halal certification in care products	3.71	0.769	
Attitude	SIK1	I like to choose halal cosmetic products	3.75	0.828	0.883
	SIK2	I always look for halal labels when I buy grooming products	3.82	0.804	
	SIK3	In my opinion, halal cosmetic products are very important	3.77	0.775	
	SIK4	Using halal cosmetic is my own choice	3.81	0.825	
	SIK5	Most people consider halal cosmetic as an important thing	3.79	0.793	
Intention	NI1	I am willing to pay more for cosmetics that are labeled halal	3.57	0.774	0.871
	NI2	I am willing to wait a little longer to buy cosmetics that are labeled halal	3.69	0.595	
	NI3	I am willing to shop for cosmetics that are labeled halal	3.60	0.862	
	NI4	I am willing to travel far to buy cosmetics that are labeled halal	3.57	0.876	
	NI5	I will buy halal cosmetics in the future	3.50	0.757	

Results

Respondent Demographic Characteristics

Table 3. Demographic profile

Variables	Freq	(%)
Gender		
1 Male	37	24.7%
2 Female	113	75.3%
Age		
1 18-23 years old	135	90.0%
2 24-29 years old	13	8.7%
3 30-35 years old	2	1.3%
Education Level		
1 High school	101	67.3%
2 Diploma/Bachelor Degree	48	32.00%
3 Master Degree	1	0.7%
Monthly Spending (Indonesian Rupiah)		
1 <1 million	28	18.7%
2 1-2 million	70	46.7%
3 2-3 million	36	24.0%
4 3-4 million	9	6.0%
5 >4 million	7	4.7%

Source: Primary Data, 2020

As shown in Table 3, most of the respondents are female (75.3%) and are dominated by those aged between 18–23 years old (90.0%). In terms of educational background, most respondents were senior high school graduates (67.3%). It aligned with the fact that this survey was distributed to college students. The respondents' spending allowance falls between the range of 1-2 million rupiah a month (46.7%).

Measurement Model Test

A confirmatory factor analysis (CFA) has been executed by AMOS software. In summary, the research model has followed the criteria of goodness-of-fit (Table 4). Therefore, the model can be classified as satisfactory.

Tabel 4. Goodness of Fit

<i>Goodness-of-fit index</i>	<i>Cut-off value</i>	Result	Conclusion
RMSEA	≤ 0.08	0,054	Good
GFI	≥ 0.90	0,851	Acceptable
AGFI	≥ 0.90	0,816	Acceptable
CMIN/DF	≤ 2.0	1,434	Good
TLI	≥ 0.90	0,950	Good
CFI	≥ 0.90	0,955	Good

Source: Primary Data, 2020

Structural Model Test

The results in Figure 2 and Table 5 show that there is a positive influence between religiosity and the attitude of using Halal cosmetic products ($p\text{-value} < 0.00$). This result shows that the higher the respondents' degree of religiosity, the higher the influence on attitude in using Halal cosmetic products. It means that the first hypothesis is supported. Results also indicated that knowledge positively influences the attitude of using Halal cosmetic products ($p\text{-value} < 0.00$). Consumers who have more information about halal cosmetics will have a higher positive attitude towards these

products. This result means that the second hypothesis is supported. Lastly, results revealed that there is a positive influence between attitude and intention to use Halal cosmetics ($p\text{-value} < 0.00$). It means that the consumers' positive attitude will influence their intention to use Halal cosmetic products. Therefore, the third hypothesis is also supported.

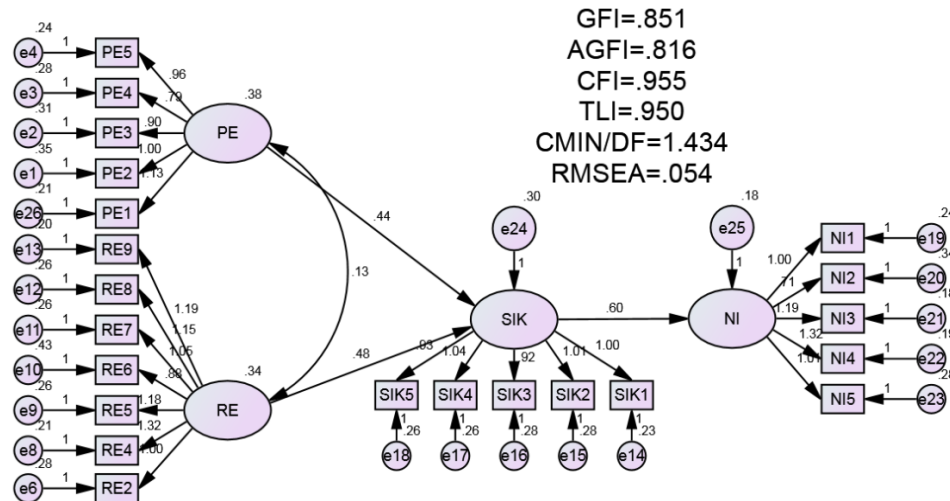


Figure 2. Structural Test Results

Table 5. Summary of Hypothesis Test

No	Hipotesis	Estimate	C.R.	p-value	Conclusion
1	H1	0.477	4.472	0.000	Supported
2	H2	0.440	4.266	0.000	Supported
3	H3	0.601	7.667	0.000	Supported

Source: Primary Data, 2020

Discussion

The present study has enriched the existing literature by examining the conceptual framework among Indonesian Muslim consumers. The findings of the current study confirm that religiosity and knowledge positively affect attitude towards Halal cosmetics. Further, the attitude toward Halal cosmetics was found to influence Indonesian consumers' intention to purchase these products. These findings are in line with previous research conducted by Abd Rahman *et al.* (2015) and Suki and Suki (2018), who found that religiosity and knowledge positively affect the attitude toward Halal cosmetic products. It also provides support for other studies by Ahmad *et al.* (2013) and Aji (2017) on Halal food; Souiden and Rani (2015) and Muslichah and Sanusi (2019) on Islamic financial products; and Khibran (2019) on Halal beef. Therefore, it gives insights that consumers who have high religiosity levels will evaluate the products they use, whether the product is Halal or otherwise, before purchasing any Halal cosmetic products (Rochmanto & Widiyanto, 2015). As for knowledge, the result of this study supports previous studies on Halal products such as cosmetics (Abd Rahman *et al.*, 2015), food (Maichum *et al.*, 2017), and Islamic financial services (Antara *et al.*, 2016; Muslichah & Sanusi, 2019). Also, this study's findings provided evidence that knowledge is one of the main factors that will be included in consumers' consideration set in purchasing Halal products, as mentioned by Baharuddin *et al.* (2015). The application of the TRA model provides further evidence that attitude has a significant impact on the intention to use Halal cosmetic products.

Conclusion and Recommendations

This study delivers both theoretical and practical implications. Theoretically, it advances the TRA model in assessing the impact of religiosity and knowledge on Indonesian consumers' attitudes

towards Halal cosmetic products. Given the nature of cosmetic products that have unique characteristics compared to other products, future studies are suggested to incorporate more antecedents such as skepticism to widen the understanding of consumers' intention towards Halal cosmetic products. Regarding the practical implications, this study offers guidance to cosmetic companies to take into account factors such as consumers knowledge and degree of religiosity to generate better Halal cosmetic demands from Muslim consumers.

References

- Abd Rahman, A., Asrarhaghghi, E., & Ab Rahman, S. (2015). Consumers and Halal cosmetic products: Knowledge, religiosity, attitude and intention. *Journal of Islamic Marketing*, 6(1), 148–163. <https://doi.org/10.1108/JIMA-09-2013-0068>
- Ahmad, A.N., Rahman, A., & Ab Rahman, S. (2015). Assessing knowledge and religiosity on consumer behavior towards Halal food and cosmetic products. *International Journal of Social science and Humanity*, 5(1), 10-14. <https://doi.org/10.7763/IJSSH.2015.V5.413>
- Ahmad, N. A., Abaidah, T. N., & Yahya, M. H. A. (2013). A study on Halal food awareness among Muslim customers in Klang Valley. In *The 4th International Conference on Business and Economic Research (4th icber 2013) Proceeding* (Vol. 1074). Retrieved from https://www.academia.edu/9229684/a_study_on_halal_food_awareness_among_muslim_customers_in_klang_valley
- Ahmad, N. A., Kamarudin, S. Y., Abdul Aziz, A., Bakhtiar, M. F. S., & Che Ahmat, N. H. (2011). Customer segmentation approaches and hotel occupancy performance: A case study of 4 and 5 star hotels in Klang Valley. *Journal of Tourism, Hospitality & Culinary Arts (JTHCA)*, 3(3), 109-125. Retrieved from <http://ir.uitm.edu.my/id/eprint/20588>
- Aji, H.M. (2017). Examining the moderating role of high-versus-low scepticism toward Halal labels: Findings from Indonesia. *International Journal of Islamic Marketing and Branding*, 2(4), 278-303. <https://doi.org/10.1504/IJIMB.2017.088999>
- Aji, H.M. (2019). Halal tourism is not Islamic tourism, *The Jakarta Post*. Retrieved from www.thejakartapost.com/news/2019/07/05/halal-tourism-not-islamic-tourism.html
- Alam, S. S., & Sayuti, N. M. (2011). Applying the theory of planned behavior (TPB) in Halal food purchasing. *International Journal of Commerce and Management*, 21(1), 8-20. <https://doi.org/10.1108/10569211111111676>
- Alserhan, B. A. (2011). *The Principles of Islamic Marketing*. England: Gower Publishing Limited.
- Ambali, A. R., & Bakar, A. N. (2014). People's awareness on Halal foods and products: Potential issues for policy-makers. *Procedia-Social and Behavioral Sciences*, 121(19), 3-25. <https://doi.org/10.1016/j.sbspro.2014.01.1104>
- Ancok, D., & Suroso, F. N. (2011). Psikologi islami: Solusi Islam atas problem-problem psikologi. Yogyakarta: Pustaka Pelajar. *Databoks. Katadata. Co. Id*. Retrieved from <https://databoks.katadata.co.id/datapublish/2019/09/24/berapa-jumlahpenduduk-muslim-indonesia>
- Antara, P. M., Musa, R., & Hassan, F. (2016). Bridging Islamic financial literacy and Halal literacy: The way forward in Halal ecosystem. *Procedia Economics and Finance*, 37, 196-202. [https://doi.org/10.1016/S2212-5671\(16\)30113-7](https://doi.org/10.1016/S2212-5671(16)30113-7)
- Aoun, I., & Tournois, L. (2015). Building holistic brands: An exploratory study of Halal cosmetics. *Journal of Islamic Marketing*, 6(1), 109-132. <https://doi.org/10.1108/JIMA-05-2014-0035>
- Azam, A. (2016). An empirical study on non-muslim's packaged Halal food manufacturers. *Journal*

- of Islamic Marketing*, 7(4), 441-460. <https://doi.org/10.1108/JIMA-12-2014-0084>
- Baharuddin, K., Ahmad Kassim, N., Nordin, S. K., & Buyong, S. Z. (2015). Understanding the Halal concept and the importance of information on Halal food business needed by potential Malaysian entrepreneurs. *International Journal of Academic Research in Business and Social Sciences*, 5(2), 170-180. <http://dx.doi.org/10.6007/IJARBS/v5-i2/1476>
- Diamant, J. (2019). The countries with the 10 largest Christian populations and 10 largest Muslim population, *Pew Research Center*. Retrieved from <https://www.pewresearch.org/fact-tank/2019/04/01/the-countries-with-the-10-largest-christian-populations-and-the-10-largest-muslim-populations/>
- Endah, N. H. (2014). Perilaku pembelian kosmetik berlabel Halal oleh konsumen Indonesia. *Jurnal Ekonomi dan Pembangunan*, 22(1), 11-25. <https://doi.org/10.14203/JEP.22.1.2014.25-39>
- Fishbein, M., & Ajzen, I. (1975). *Belief, Attitude, Intention and Behavior: An Introduction to Theory and Research*. Reading, MA: Addison-Wesley.
- Fishbein, M., Jaccard, J., Davidson, A. R., Ajzen, I., & Loken, B. (1980). Predicting and understanding family planning behaviors. In *Understanding attitudes and predicting social behavior*. Prentice Hall.
- Hashim, P., & Mat Hashim, D. (2013). A review of cosmetic and personal care products: Halal perspective and detection of ingredients. *Pertanika Journals of Science and Technology*, 21(2), 281-292. Retrieved from <http://psasir.upm.edu.my/id/eprint/40519/>
- Hidayat, A. S., & Siradj, M. (2015). Sertifikasi Halal dan sertifikasi non Halal pada produk pangan industri. *Abkam: Jurnal Ilmu Syariah*, 15(2), 199-210. <http://dx.doi.org/10.15408/ajis.v15i2.2864>
- Ireland, J., & Rajabzadeh, S. A. (2011). UAE consumer concerns about Halal products. *Journal of Islamic Marketing*, 2(3), 274-283. <https://doi.org/10.1108/17590831111164796>
- Jaelani, A. (2017). Halal tourism industry in Indonesia: Potential and prospects. *International Review of Management and Marketing*, 7(3). <http://dx.doi.org/10.2139/ssrn.2899864>
- Johnson, B.J. (2001). Does adolescent religious commitment matter? A reexamination of the effects of religiosity on delinquenc. *Journal of Research in Crime and Delinquency*, 38(1), 22-43. <https://doi.org/10.1177/0022427801038001002>
- Joshi, R., & Garg, P. (2020). Assessing brand love, brand sacredness and brand fidelity towards Halal brands. *Journal of Islamic Marketing*, doi: <https://doi.org/10.1108/JIMA-04-2020-0104>
- Kamaruzaman, K. A. (2008). Halal cosmetics: Between real concerns and plain ignorance. *The Halal Journal*, 21, 28-31. Retrieved from <https://issuu.com/the-halal-journal/docs/mar-apr2008>
- Khibran, M. (2019). An investigation toward purchase intention of Halal beef from traditional market: A TPB perspective. *Asian Journal of Islamic Management*, 1(1), 1-12. <http://dx.doi.org/10.20885/ajim.vol1.iss1.art1>
- Lada, S., Harvey Tanakinjal, G., & Amin, H. (2009). Predicting intention to choose Halal products using theory of reasoned action. *International Journal of Islamic and Middle Eastern Finance and Management*, 2(1), 66-76. <https://doi.org/10.1108/17538390910946276>
- Listyoningrum, A., & Albari, A. (2012). Analisis minat beli konsumen muslim terhadap produk yang tidak diperpanjang sertifikat Halalnya. *Jurnal Ekonomi & Keuangan Islam*, 2(1), 40-51. Retrieved from <https://journal.uin.ac.id/JEKI/article/view/8767/7446>
- Maichum, K., Parichatnon, S., & Peng, K. C. (2017). The influence of attitude, knowledge and quality on purchase intention towards Halal food: A case study of young non-Muslim

- consumers in Thailand. *IRA-International Journal of Management & Social Sciences*, 6(3), 354-364. <http://dx.doi.org/10.21013%2fjmss.v6.n3.p3>
- Mansour, I.H.F. & Diab, D.M.E. (2016). The relationship between celebrities' credibility and advertising effectiveness: The mediation role of religiosity. *Journal of Islamic Marketing*, 7(2), 148-166. <https://doi.org/10.1108/JIMA-05-2013-0036>
- Mathras, D., Cohen, A.B., Mandel, N. & Mick, D.G. (2016). The effects of religion on consumer behaviour: A conceptual framework and research agenda. *Journal of Consumer Psychology*, 26(2), 298-311. <https://doi.org/10.1016/j.jcps.2015.08.001>
- McDaniel, S.W. & Burnett, J.J. (1990). Consumer religiosity and retail store evaluative criteria. *Journal of the Academy of Marketing Science*, 18(2), 101-112. <https://doi.org/10.1007/BF02726426>
- Muhamed, N. A., Ramli, N. M., Abd Aziz, S., & Yaakub, N. A. (2014). Integrating Islamic financing and Halal industry: A survey on current practices of the selected Malaysian authority bodies. *Asian social science*, 10(17), 120-126. <https://doi.org/10.5539/ass.v10n17p120>
- Mukhtar, A., & Butt, M. M. (2012). Intention to choose Halal products: The role of religiosity. *Journal of Islamic Marketing*, 3 (2), 108-120. <https://doi.org/10.1108/17590831211232519>
- Muslichah, I. & Sanusi, S. (2019). The effect of religiosity and financial literacy on intention to use Islamic banking products. *Asian Journal of Islamic Management*, 1(2), 85-92. <http://dx.doi.org/10.20885/ajim.vol1.iss2.art2>
- Peter, J. P., Olson, J. C., & Grunert, K. G. (1999). *Consumer Behavior and Marketing Strategy*. New York: McGraw-Hill.
- Radzi, S. M., Mohd Zahari, M. S., Muhammad, R., Aziz, A. A., & Ahmad, N. A. (2011). The effect of factors influencing the perception of price fairness towards customer response behaviors. *Journal of Global management*, 2(1), 22-38.
- Reuters, T., & Standard, D. (2013). State of the global Islamic economy, 2013 Report. *Thomson Reuters and Dinar Standard*, New York City.
- Rochmanto, B. Al, & Widiyanto, I. (2015). Pengaruh pengetahuan produk dan norma religius terhadap sikap konsumen dalam niat mengkonsumsi produk makanan dan minuman Halal (Studi kasus di Kota Semarang). *Diponegoro Journal of Management*, 4(1), 1–12. Retrieved from <https://ejournal3.undip.ac.id/index.php/djom/article/view/13024>
- Sadzalia, S. (2015). *Pengaruh label Halal dan religiusitas terhadap keputusan pembelian produk kosmetik di Kota Malang* (Doctoral dissertation, Universitas Islam Negeri Maulana Malik Ibrahim Malang).
- Samori, Z., Md Salleh, N.Z. & Khalid, M.M. (2016). Current trends on Halal tourism: Cases on selected Asian countries. *Tourism Management Perspectives*, 19(B), 131-136. <https://doi.org/10.1016/j.tmp.2015.12.011>
- Shahid, S., Ahmed, F., & Hasan, U. (2018). A qualitative investigation into consumption of Halal cosmetic products: The evidence from India. *Journal of Islamic Marketing*, 9(3), 484-503. <https://doi.org/10.1108/JIMA-01-2017-0009>
- Sigma Research Indonesia (2018). *Tren dan Perilaku Pasar Kosmetik Indonesia Tahun 2017*. Retrieved from <http://sigmaresearch.co.id/tren-dan-perilaku-pasar-kosmetik-indonesia-tahun-2017/>
- Souiden, N., & Rani, M. (2015). Consumer attitudes and purchase intentions toward Islamic banks: The influence of religiosity. *International Journal of Bank Marketing*, 33(2), 143-161. <https://doi.org/10.1108/IJBM-10-2013-0115>

- Sugibayashi, K., Yusuf, E., Todo, H., Dahlizar, S., Saksidet, P., Arce Jr, F., & See, G.L. (2019). Halal cosmetics: A review on ingredients, production, and testing methods. *Cosmetics* 6(3), 37. <https://doi.org/10.3390/cosmetics6030037>
- Suki, N.M., & Suki, N.M. (2018). Halal cosmetic products: Do knowledge and religiosity affect consumers' attitude and intention to use. *International Journal of Engineering and Technology*, 7(4.38), 764-767.
- Suparno, C. (2020). Online purchase intention of Halal cosmetics: SOR framework application. *Journal of Islamic Marketing, Vol. ahead-of-print No. ahead-of-print*. <https://doi.org/10.1108/JIMA-09-2019-0192>
- Wilson, J. A. (2014). The Halal phenomenon: An extension or a new paradigm?. *Social Business*, 4(3), 255-271. <https://doi.org/10.1362/204440814X14103454934294>
- Wilson, J. A. J., & Liu, J. (2010). Shaping the Halal into a brand?. *Journal of Islamic Marketing*, 1(2), 107-123. <https://doi.org/10.1108/17590831011055851>