

## SMART GROWBOX DESIGN WITH TEMPERATURE AND HUMIDITY MONITORING SYSTEM VIA THE INTERNET

Wanda Vernandhes<sup>1</sup>, N.S Salahuddin<sup>2</sup>, A. Kowanda<sup>3</sup>

Computer System Majoring, Gunadarma University<sup>1,2,3</sup>  
Jl. Margonda Raya 100, Depok, Jawa Barat  
E-Mail : wandavernandhes@student.gunadarma.ac.id<sup>1</sup>,  
sultan,anacos@staff.gunadarma.ac.id<sup>2,3</sup>

### ABSTRAK

Pada tahun 2015, dengan perkiraan populasi 255 juta orang, Indonesia membutuhkan lahan seluas 13,38 juta hektar. Artinya, dalam beberapa tahun kedepan, Indonesia akan mengalami krisis lahan pertanian sehingga Indonesia dituntut untuk meningkatkan total areal budidaya. Hal ini disebabkan oleh meningkatnya perkembangan industri dan jasa, sehingga pertanian konvensional kurang kompetitif karena tingginya harga tanah. Salah satu pengembangan teknologi pertanian pertanian disebarkan teknologi budidaya pertanian yang layak dengan teknologi smart growbox memberikan alternatif bagi mereka yang tidak memiliki lahan untuk pertanian. Desain smartbox dengan sistem pemantauan suhu dan kelembaban melalui internet telah dirancang, dengan menggunakan sensor suhu dan kelembaban (DHT22) serta sensor kelembaban tanah (FC-28), maka kondisi tanaman dan lingkungannya akan mudah dipantau oleh melihat nilai output dari sebuah sensor. Hasil pengujian kecepatan rata - rata respon manual control via perangkat berbasis web adalah 5 detik. Kontrol kecepatan respon secara manual tergantung pada lalu lintas jaringan dan kondisi jaringan. Sistem siap untuk digunakan.

Kata kunci : Tanaman, Kotak Tumbuh, Teknologi, Internet, Mobile, Sensor, Suhu, Kelembaban.

### 1. INTRODUCTION

In 2015, with an estimated population of 255 million people, Indonesia requires 13.38 million hectares of land. Along with population growth, Indonesia need the increased area for farming so that food security can be stable. That is, Indonesia is required to increase the area cultivated area. In fact, agricultural land in Indonesia actually shrinking. According to the survey of the Ministry of Food Security Center (2010 - 2014), in 1999 - 2002, increased to 110,000 hectares of land conversion. In the period of 2002-2006 jumped to 145,000 hectares per year. However, in the 2007 - 2010 in Java, conversion rates an average of 200,000 hectares per year. He added that the land (irrigated rice technical, nontechnical, and dry land) in Java in 2007 was 4.1 million hectares, now only 3.5 million hectares. Wetland Indonesia is only 8.06 million hectares and moor / garden 12.28 million hectares. In a few years, Indonesia has encountered a crisis of agricultural land.

It was so, as found by the Bogor Institute of Agriculture (IPB), as many as 75 percent of the farmland in Indonesia decreased a significant fertility (Khudori).

With the data obtained from the Ministry of food security can be concluded that agriculture is the sector that has an important role in human life. Due to being a primary provider of food, clothing, and shelter in the walk of life, and a focus for community life in general. On one side, the development of science and technology world is so awesome it indeed has brought tremendous benefits for the progress of human civilization. This type of work in agriculture which previously required physical capacity is large enough, now it can be replaced by automatic machinery. Lack of awareness of the importance of information technology in agriculture may hinder the work or activities done, because by following the progress of technology and information, work can be done more effective and efficient. The use of

technology in agriculture is often referred electronic agriculture (e-Agriculture).

One of the viable development of agricultural technologies is Smart Growbox that we will explain in this paper. This is caused by the increasing scarcity of land resources, especially since the development of industry and services, so that conventional agriculture is less competitive because of the high price of land. The concept of farming using technology Smart Growbox provides an alternative for those who don't have land for agriculture that stated in Food Security Department Survey data in order to carry out business activities that can be used as a source of food or adequate income. farming techniques applied Smart Growbox is very different from the corresponding conventional farming techniques. In this smart technology development, Smart Growbox has more advantages compared to conventional farming :

- a. Including an automatic irrigation system and circulatory, and growlight system that can replace spectrum of sunlight, temperature and humidity can be controlled in accordance with the needs of the plant.
- b. Mobile monitoring plant that can be easily viewed on the web.
- c. Has better fruit quality than conventional agricultural technologies.
- d. Rarely produced fruit decay in the system because growbox has closed glass box.
- e. Labor costs can be minimized in terms of economy.
- f. Maintenance is much better and easier.

This paper is intended to solve problems arising either in agriculture or a limited land

to sustain the needs of the food sector individual or mass production.

## 2. LITELATURE REVIEW

### 2.1. Digital-Output Relative Humidity & Temperature Sensor / Module (DHT 22)

Relative humidity is a measure of the amount of water vapor contained within the air which is usually expressed as percentage humidity. Humidity is a very important environmental element that must be controlled for healthy plants. DHT-22 also known as AM2302, is temperature and humidity sensor variants such as DHT-11, but it has advantages, which output on a sensor already in the form of digital signals with the conversions and calculations done by the integrated 8-bit MCU.

DHT22 sensor calibrated accurately with compensation temperatures in space adjustment with the calibrated coefficient values stored in memory integrated OTP, so that the sensor has a wider accuracy, precision and range measurements of temperature and humidity. This sensor is able to transmit the output signal passing through a long cable (up to 20 metres) making it suitable to be placed anywhere, with a note if you use the cable with a length of over 2 m, add a buffer capacitor 0.33  $\mu$ F between pins # 1 (VCC) and pin # 4 (GND).

An optimal temperature range within which a particular plant species will be carrying out photosynthesis at its maximum rate (given that sufficient CO<sub>2</sub>, water and light are also present) outside this range, photosynthesis and other plant processes begin to slow down, to the point where they stop and growth ceases (Gene Giacomelli, Ph.D).



Figure 1. DHT22 Digital Temperature and Humidity Sensor.

The temperature sensor used in the design of this tool is DHT22, as shown in figure.1. DHT22 calibrated output a digital signal. DHT22 sensor uses 3 pin input, namely VCC, Data, and Gnd as shown in figure 2.

### 2.2. Soil Moisture Sensor

The lack of accuracy in the measurement of soil moisture is a serious problem. Clearly, there is needed for continuous measurements of surface soil moisture. Also, remote soil moisture sensing increases the efficiencies of

irrigation systems by preventing over watering and leaching of fertilizers and other chemicals offsite. Soil Moisture sensor FC-28 comes with a pair of tech probes that can be inserted in the soil. A small current flow through the probes and the level of resistance will be measured (GrowLED). The resistance increases if the soil is dryer. The output from the sensor is an analogue output that can be connected to one of the analogue to digital port (ADC) available on the microcontroller board.

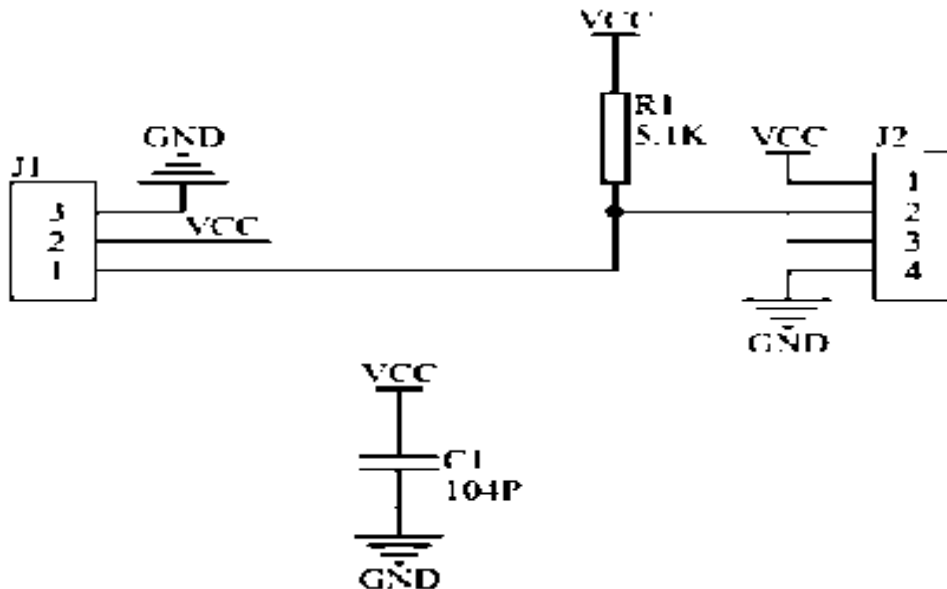


Figure 2. DHT22 Digital Temperature and Humidity Schematic.

#### Technical Details :

- Low cost.
- 3 to 5V power and I/O.
- 2.5mA max current use during conversion (while requesting data).
- Good for 0-100% humidity readings with 2-5% accuracy.
- Good for -40 to 80°C temperature readings  $\pm 0.5^\circ\text{C}$  accuracy.
- No more than 0.5 Hz sampling rate (once every 2 seconds).
- Body size 27mm x 59mm x 13.5mm (1.05" x 2.32" x 0.53").
- 4 pins, 0.1" spacing.
- Weight (just the DHT22) : 2.4g.



Figure. 3. FC-28 Soil Moisture Sensor.

Table 1. Sensor Reading and Soil Condition

Sensor Reading	Soil Condition
0-600	Wet Soil
601-950	Moist Soil
951-1023	Dry Soil

FC-28 soil moisture sensor module has been calibrated in order to verify accurate operation of the device, as shown in figure.1 . A pot with potting soil was taken and the moisture levels are changed regularly. The pot was exposed to hot sun in order to get rid of the moisture. This allowed us to simulate a dry, arid soil environment. Similarly, the pot was watered to various levels, and the output from the sensor was recorded in table 1.

**2.3. LED Grow Light**

Plants do not effectively use the entire spectrum of light. In fact, internal structures that absorb light inside plants such a chlorophyll and carotene absorb light in the range of two particular wavelengths. Most

LED Grow Lights deliver energy that plants need in the exact spectrums that are most effective to induce healthy and consistent plant growth (McRoberts, Michael, 2010). The Grow LED is available in Blue, Red and Blue / Red Combination to allow create the most effective growing environment, as shown in figure.4. It is recommended to control the amount of blue light delivered to the plant depending on the growth cycle of the target plant. In general the younger the plant, the more blue light that is required. Blue light can foster faster flowering, quicker fruit development (Hernandez, R, Sander W). Specifications and Dimensions :



Figure 4. LED GrowLight.

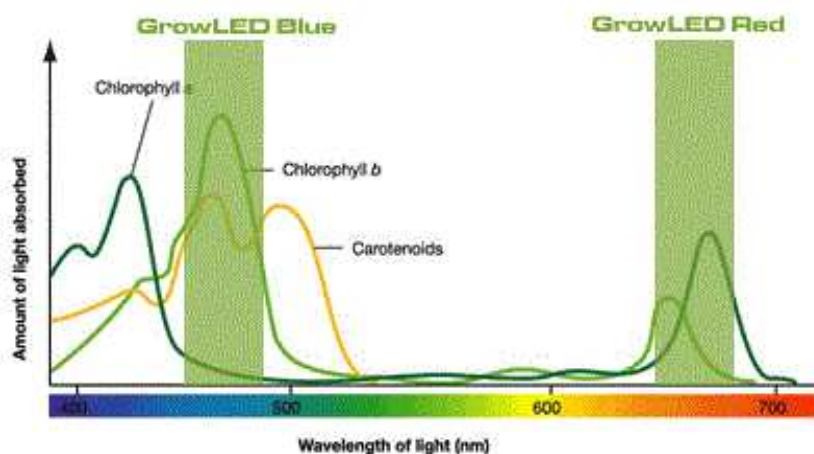


Figure 5. Charts The Influence of The Color Spectrum to Plants.

- Power Consumption: 2 Watts.
- Luminous Flux: 300 Lumens.
- Light Engine: 168 LEDs (Red, Blue), Combination (130 Red, 38 Blue).
- Wavelengths: Red – 620-630 nm, Blue – 460-470 nm.
- Input Voltage: 180~240V AC.
- Beam Angle – 120 Degrees.
- Lifespan: > 50,000 Hours (MTBF).
- Construction : ABS with Exposed LED Array.
- Physical Dimensions: Overall Length – 5.08 in (129.17 mm), Diameter – 4.78 in (121.87 mm) Weight – 4 Ounces.

Photosynthesis occurs mainly within the visible light spectrum (wavelength range 400 to 700 nanometers). Within this range, 445 nanometers (blue) and 650 nanometers (red) are needed most. Plants convert light into energy within their leaves. This is where the chlorophyll is stored, and is what plants use to convert light energy into chemical energy. Chlorophyll uses only very specific wavelengths of light to convert chemical energy. It doesn't use green light as we might initially think. Rather, it uses red light that is 600-680 nm, and blue light that is 380-480 nm. Blue light is highest during the summer months and is responsible for growth of plants, while red lights is highest during the harvest months, and is responsible for the growth and development of flowers and fruit. Plant leaves absorb red and blue wavelengths of light, while reflecting green wavelengths. This is why leaves colour are green (Sander W and friends, 2012). As can be seen in figure 5, highest absorption is in the red and blue regions of the graph. The area between the two regions contains the green wavelengths, where there is minimal absorption. Thus when choosing lights to grow plants indoors or during night periods,

it is important that they emit highly in the blue and red wavelengths in order to maximise plant growth.

### 3. CONFIGURATION AND ARCHITECTURE

The basic architecture of smart growbox is user access integrated with a graphical user interface via web monitoring and controlling. The system architecture is classified into three main points, namely client1 (users), server, and client2 (internal module) which can communicate via the server with different media, as shown in figure 6. The user will operate an experimental model of remotely through server. The server will forward any orders given to the experiment module. Output data from the microcontroller to be returned to the user via server.

In the scheme above can be seen that three elements are client1 , servers and client2 can exchange data or information. Communication that occurs in the scheme is the type duplex communication. Users can make changes to parameters and data retrieval. The process is done by accessing the server address control and monitoring system on the web browser. In an internal module system consists of sensors, actuators, relays, arduino ethernet, and routers. On the server side of the system consists of a web server and an internet connection. System design experiments internet-based temperature and humidity requires good integration between control systems and monitoring, arduino ethernet, and web software. The picture below is the control system architecture that can explain the flow of how the system works.

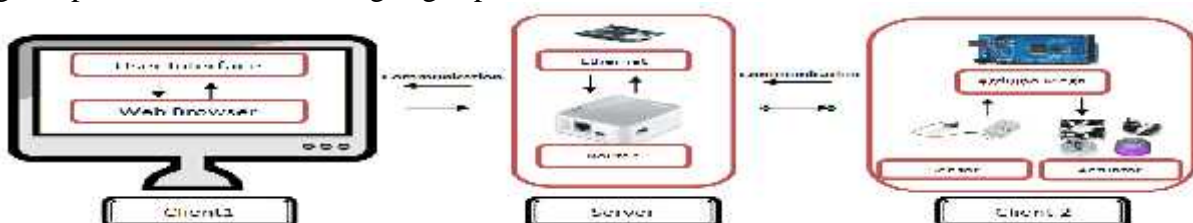


Figure 6. Communication Flow Devices and Components.



### 3.1. The Design of The Hardware

The design of the system hardware consists of sensors, actuators, relays, arduino ethernet, and routers, as shown in figure 7. Hardware components are connected to one another to run the process control and monitoring as shown in figure 8. The system monitors temperature and humidity is done using arduino, ethernet, FC-28 as a soil

moisturise sensor and DHT11 sensor temperature correction incorporates in a single chip. Routers are used to connect the ethernet arduino with the server. Relay circuit serves as a control switch on / off from a wide variety of actuators as a form of response to the sensor output.



Figure. 7. Smart Growbox Platform Web-Based.

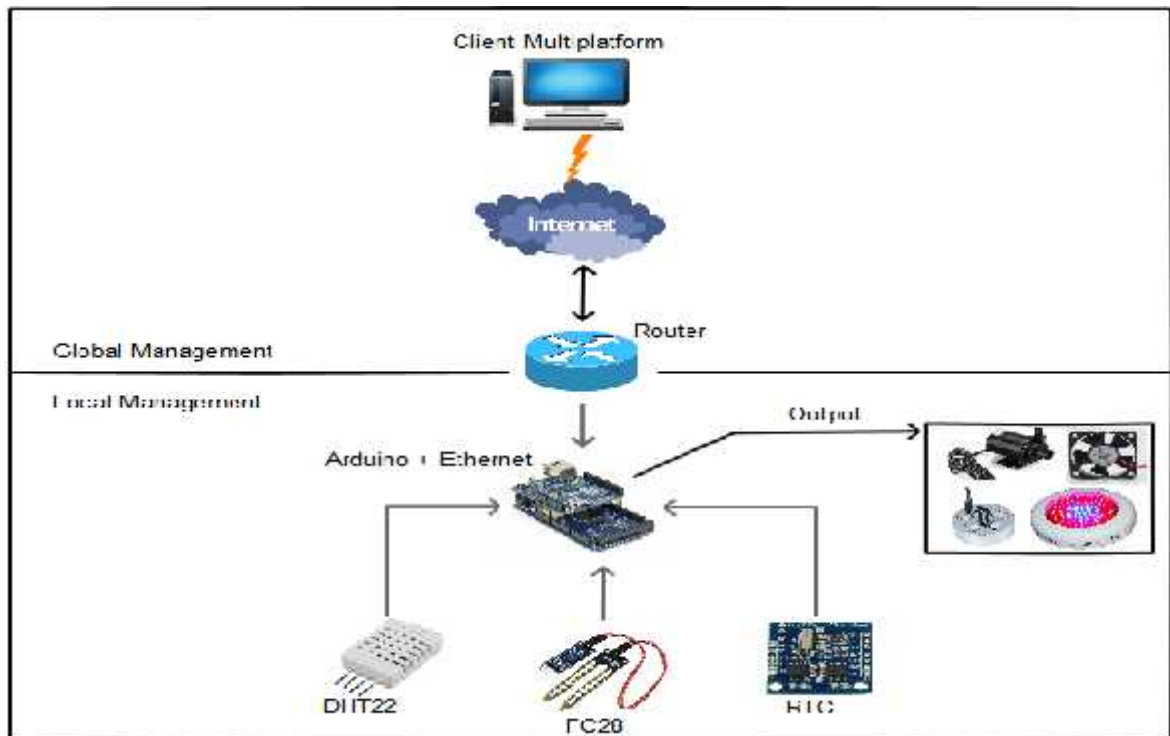


Figure. 8 .Architecture Control System and Monitoring Temperature and Humidity in Smart Growbox Based on Internet.



On flowchart can be seen that the server to display data on the web can through several stages. Early stage Arduino Ethernet Shield get data from reading sensor by Arduino Mega ADK. After getting temperature data, humidity air, humidity soil and also reading RTC that reads on Arduino Ethernet were sent to use of get data from server. To display web page of information datalog the writer use HTML programming language. When user go on a web pages, user can use auto mode and manuals mode designed in system and interface on web pages in order to facilitate user using smart growbox.

#### 4. RESULT AND TESTING

Testing done on a system covering the measurement of air humidity, temperature and soil humidity of communication between servers with hardware and web interaction with users. There are two testing systems which is the system testing in a state of automatic and testing in a manual system.

Testing smart growbox based on internet in mode manual done with operating a system of module internal in remote through web browser. Testing use the operation of a computer Microsoft Windows with different web browser like the internet explorer, google chrome, mozilla firefox, netscape and operas. Display early appeared at the time

when address smart growbox based the internet accessed through web browser google chrome.

#### 4.1. Testing Automatic Mode

Testing automatic mode can be done by accessing web server that has ip address 192.168.0.1. When user has accessed web address so users can come into the user interface that is easy to catch information which was provided to web pages. Testing automatic mode done to see if a system can be monitoring and control on actuator and parameter that had been determined without of an instruction from user. The results of testing obtained that sensors able to perform the measurement of temperature, humidity air and humidity land well, arduino ethernet can monitor and send data, and relay can serve as a switch on various actuator. figure 10 is a client data obtained from trials in automatic mode.

According to the picture of figure 10 can be seen that automatic programed with parameters preset by arduino code, the sensor reads the temperature of 27°C-30°C range or the humidity is between 65% -80% range or soil moisture is in the range of 601-950, the relay integrated in the sensor will be in off mode.

```

148
149
150 if (h < 65)
151 {
152   digitalWrite(Relay2, HIGH);
153   digitalWrite(Relay4, HIGH);
154   //Serial.println("HIGHT");
155 }
156
157 else if (h < 80)
158 {
159   digitalWrite(Relay2, LOW);
160   digitalWrite(Relay4, LOW);
161   // Serial.println("MHTT");
162 }
163
164
165
166 if (t < 30)
167 {
168   digitalWrite(Relay3, HIGH);
169   //Serial.println("HIDUP");
170 }
171
172
173 else if (t < 27)
174 {
175   digitalWrite(Relay3, LOW);
176   // Serial.println("MHTT");
177 }
178
179
180
181
182
183
184
185
186
187
188
189
190
191
192
193
194
195
196
197
198
199
200
201
202
203
204
205
206
207
208
209
210
211
212
213
214
215
216
217
218
219
220
221
222
223
224
225
226
227
228
229
230
231
232
233
234
235
236
237
238
239
240
241
242
243
244
245
246
247
248
249
250
251
252
253
254
255
256
257
258
259
260
261
262
263
264
265
266
267
268
269
270
271
272
273
274
275
276
277
278
279
280
281
282
283
284
285
286
287
288
289
290
291
292
293
294
295
296
297
298
299
300
301
302
303
304
305
306
307
308
309
310
311
312
313
314
315
316
317
318
319
320
321
322
323
324
325
326
327
328
329
330
331
332
333
334
335
336
337
338
339
340
341
342
343
344
345
346
347
348
349
350
351
352
353
354
355
356
357
358
359
360
361
362
363
364
365
366
367
368
369
370
371
372
373
374
375
376
377
378
379
380
381
382
383
384
385
386
387
388
389
390
391
392
393
394
395
396
397
398
399
400
401
402
403
404
405
406
407
408
409
410
411
412
413
414
415
416
417
418
419
420
421
422
423
424
425
426
427
428
429
430
431
432
433
434
435
436
437
438
439
440
441
442
443
444
445
446
447
448
449
450
451
452
453
454
455
456
457
458
459
460
461
462
463
464
465
466
467
468
469
470
471
472
473
474
475
476
477
478
479
480
481
482
483
484
485
486
487
488
489
490
491
492
493
494
495
496
497
498
499
500
501
502
503
504
505
506
507
508
509
510
511
512
513
514
515
516
517
518
519
520
521
522
523
524
525
526
527
528
529
530
531
532
533
534
535
536
537
538
539
540
541
542
543
544
545
546
547
548
549
550
551
552
553
554
555
556
557
558
559
560
561
562
563
564
565
566
567
568
569
570
571
572
573
574
575
576
577
578
579
580
581
582
583
584
585
586
587
588
589
590
591
592
593
594
595
596
597
598
599
600
601
602
603
604
605
606
607
608
609
610
611
612
613
614
615
616
617
618
619
620
621
622
623
624
625
626
627
628
629
630
631
632
633
634
635
636
637
638
639
640
641
642
643
644
645
646
647
648
649
650
651
652
653
654
655
656
657
658
659
660
661
662
663
664
665
666
667
668
669
670
671
672
673
674
675
676
677
678
679
680
681
682
683
684
685
686
687
688
689
690
691
692
693
694
695
696
697
698
699
700
701
702
703
704
705
706
707
708
709
710
711
712
713
714
715
716
717
718
719
720
721
722
723
724
725
726
727
728
729
730
731
732
733
734
735
736
737
738
739
740
741
742
743
744
745
746
747
748
749
750
751
752
753
754
755
756
757
758
759
760
761
762
763
764
765
766
767
768
769
770
771
772
773
774
775
776
777
778
779
780
781
782
783
784
785
786
787
788
789
790
791
792
793
794
795
796
797
798
799
800
801
802
803
804
805
806
807
808
809
810
811
812
813
814
815
816
817
818
819
820
821
822
823
824
825
826
827
828
829
830
831
832
833
834
835
836
837
838
839
840
841
842
843
844
845
846
847
848
849
850
851
852
853
854
855
856
857
858
859
860
861
862
863
864
865
866
867
868
869
870
871
872
873
874
875
876
877
878
879
880
881
882
883
884
885
886
887
888
889
890
891
892
893
894
895
896
897
898
899
900
901
902
903
904
905
906
907
908
909
910
911
912
913
914
915
916
917
918
919
920
921
922
923
924
925
926
927
928
929
930
931
932
933
934
935
936
937
938
939
940
941
942
943
944
945
946
947
948
949
950
951
952
953
954
955
956
957
958
959
960
961
962
963
964
965
966
967
968
969
970
971
972
973
974
975
976
977
978
979
980
981
982
983
984
985
986
987
988
989
990
991
992
993
994
995
996
997
998
999
1000

```

Figure 10. Arduino Program for Automatic Mode.



On when the temperature exceeds 30°C so exhaust fan will mode on , and slowly temperature will decline , the same thing happens in humidity , if humidity below the 65 % so mist maker will be turned on and if condition of the soil that is at the upper limit of more than 950, the water pump will be turned on. Cycle system will be easy to run when on automatic mode by determining parameter in embedded system. For logical reasoning with the parameters that have been planted on the system we can see on the pieces contained flowchart figure 9 conditions if you want to run automatic mode.

#### 4.2. Testing Manual Mode

Testing automatic can be done by access web server having ip address 192.168.0.1. When user have accessed web address so user can come into the interface that is easy for user to take command of web pages. Testing manual mode done to see if a system can be controlled by user by operating

actuator available on a platform Smart Growbox. The results of testing obtained that user can control and intervene to the state of temperature, humidity, and soil moisture in conformity with the wish user while running command manual mode. Command the user to on mode or off mode in actuator will be forwarded to arduino ethernet by reading data command of data type strings and send data, so that relay can serve as a switch on or off on various actuator. When the user intervene and give the command for mode on all actuator for three minutes then the temperature will drop in the temperature of 23°C due to an active exhaust fan and humidity will rise to the level of 89% as well as soil moisture which becomes wet with the reading value of 560. Based on the information in figure 11. The test results showed that the client can control the device system remotely with an average speed of response for five seconds.



Figure 11. Data Display and Interface when The Automatic Mode is Executed.



Fig 12. Data Display and Interface when The Manual Mode is Executed.

## 5. CONCLUSION

Results of experiments performed in the laboratory obtained that this device can certainly tested and works as expected by observing and analyzing the input parameters to the program and the value of the output results from a reading of the sensor. Smart Growbox design with temperature and humidity monitoring system via internet and capable of monitoring temperature, humidity and soil moisture on Smart Growbox over the internet.

This system can be used in two modes, namely automatic mode and manually mode. Automatic mode can work with the maximum mode without the control of the user / client and the user can work well with a supporting web-based applications. Based on the result of the test, the client can controlled the actuator on device remotely with the average speed of response was 5 seconds. The response also depends on network traffic and network conditions. *The system is ready for use.*

## REFERENCES

- FC-28., 2016. Soil Moisture sensor spesification [Online]. [www.nskelectronics.com/soilmoisturesensor.html](http://www.nskelectronics.com/soilmoisturesensor.html).
- Gene Giacomelli, Ph.D., Director of the Controlled Environment Agriculture Center at the University of Arizona, Interview.
- GrowLED – GrowLight Green Planet Company <http://www.greenplanetcompany.net/growled.html>.
- Hernandez, R., Plant Lighting Basics and Applications, University of Arizona.
- Khudori., 2014. Badan Ketahanan Pangan “Survei Konversi Lahan Pertanian dan Perkebunan di Indonesia 2010-2014”, POKJA Ahli Dewan Ketahanan Pangan Pusat. Jakarta.
- McRoberts, Michael., 2010. “Beginning Arduino”, Springer Science, New York.
- Sander W. Hogewoning, Emilie Wientjes, Peter Douwstraa, Govert Trouwborst, Wim van Ieperen, Roberta Croce, and Jeremy Harbinson., 2012. Photosynthetic Quantum Yield Dynamics: From Photosystems to Leaves, American Society of Plant Biologists.