

TEKNOIN

JURNAL TEKNOLOGI INDUSTRI

p-ISSN:0853-8697 | e-ISSN: 2655-6529



UNIVERSITAS
ISLAM
INDONESIA

Failure Risk Analysis of SMEs based on ISO 31000

Syarifah Muthmainnah, Taufiq Immawan (halaman 1-13)

Analisis Kuat Geser Bioadhesive Berbahan Soy Protein Isolated (SPI) dengan Variasi Natrium Sulfit dan Asam Sitrat

Valenia Adysta Kirana, Budhijanto, Gilang Afif Setya Ramadhani (halaman 14-20)

Selection of Pin Component Suppliers for Checking Fixture Products Using an Analytical Hierarchy Process Approach

Febriza Imansuri , Ditya Aritama , Fredy Sumasto, B. Handoko Purwojatmiko (halaman 21-28)

Pengendalian Kualitas Kemasan Produk PCC Menggunakan Algoritma Apriori, New Seven Tools dan Usulan Poka Yoke

Muhamad Naufal, Zeny Fatimah Hunusalela, Sahat Sinambela (halaman 29-41)

Pembuatan Alat Pembentuk Produk Piring Berbahan Pelepeh Bambu

Santo Ajie Dhewanto, Dian Maulana (halaman 42-52)

Optimistic Bias Pengguna Flight Simulator

Bagus Wahyu Utomo, Esa Rengganis Suliartha, Prasadanto Nur Santoso (halaman 53-57)

Failure Risk Analysis of SMEs based on ISO 31000

Syarifah Muthmainnah¹⁾, Taufiq Immawan²⁾

*Master of Industrial Engineering, Faculty of Industrial Technology, Universitas Islam Indonesia
Kaliurang Street Km 14,5,Sleman, Yogyakarta, 55584,Indonesia¹⁾
Faculty of Industrial Technology, Universitas Islam Indonesia
Kaliurang Street Km 14,5,Sleman, Yogyakarta, 55584,Indonesia²⁾
E-Mail : 18916130@students.uii.ac.id¹⁾,taufiq.immawan@uii.ac.id²⁾*

ABSTRACT

Higher competition makes Indonesian SMEs continue to improve their competitiveness, as it has become the biggest driver of the national economy. The limitations of SMEs in the process of meeting customer demands are a major problem so the risk of process failure accepted by SMEs is quite large. Therefore, this study aims to reduce the level of risk failure in SMEs to be able to increase success in meeting customer demand. The UKM used as a case study in this research is CV.Z, which is engaged in the fashion sector with a made-to-order system. To reduce risk, the risk management process adopted adopts the approach of ISO 31000 as an international risk management standard. In the process of assessing the magnitude of the risk, the Failure Mode Effect Analysis (FMEA) technique was used in this study. The result is that as many as 38 failure modes were identified in the production process, with the highest Risk Priority Number (RPN) value of 162. Corrective action was taken in the largest RPN failure mode by applying new methods and providing training to workers. It is expected that implementing corrective actions can reduce the failure rate in the process in SMEs.

Keywords: ISO 31000, Failure Mode Effect Analysis (FMEA), Risk Priority Number (RPN), Small Medium Enterprises (SMEs)

1. Introduction

The level of competition in the industrial world is currently getting higher because of the impact of globalization (Enis Bulak & Turkyilmaz, 2014). For this reason, companies must continue to strive to be competitive in meeting customer demands (Ferreira, Crema, & Verbano, 2020). This is not only for large companies but also for all businesses, both small and medium scale. Small Medium Enterprises (SMEs) in Indonesia need attention because they are a major factor in national economic development (Anton, Muzakan, Muhammad, Sudin, & Sidiq, 2015). Based on data by the Ministry of Cooperatives and Small Medium Enterprises (2017), SMEs contribute 60% of the country's GDP and absorb as much as 97.02% of the workforce. SMEs tend to have more limitations than large companies to compete, especially in the production process. Manual work has an impact on quality, customer satisfaction, and profit for

SMEs where the potential risk of a process failure is greater. Risk is defined as the effect of uncertainty in achieving goals so that all companies always strive for more structured risk (Proenca, Estevens, Vieira, & Borbinha, 2017). Risk management is an approach that is often used in dealing with various uncertainties (Ferreira, Crema, & Verbano, 2020). Risk management maintains company assets by reducing potential risks before they occur, mitigating the impact of losses, and making repairs immediately after losses occur (Bajo, Borrajo, De Paz, Corchado, & Pellicer 2012). ISO 31000 is one of the references that is often used to build risk management structures in all industries, regardless of the nature of the company (Proenca, Estevens, Vieira, & Borbinha, 2017). The application of ISO 31000 consists of five main steps, namely communication and consultation for interested parties; changing the context in the form of company goals; a risk evaluation process consisting of risk risks, risks, and risk

evaluation; risk treatment; level and critical review (ISO, 2009). Meanwhile, to carry out the risk measurement process, a tool is needed, where the Failure Mode Effect Analysis (FMEA) is an easy tool to apply, especially in the context of SMEs. FMEA identifies potential failure modes, failures, failures, and areas that affect the error of a company (Silva, De Gusmão, Poletto, Silva & Costa, 2014). The amount of risk of failure is calculated based on three factors, namely the failure of failure if it occurs or severity (S), frequency of failure if it occurs or occurs (O), and the probability of failure detected before impact occurs or detection (D) (McDermott et al., 2009). The third-factor values are on a scale of 1 to 10 and will be multiplied to get a Risk Priority Number (RPN) (McDermott et al., 2009). The highest RPN value is prioritized for corrective action, and then the new RPN results are determined at an acceptable level for all potential failure modes (McDermott, Mikulak, & Beauregard, 2009).

One of the SMEs in Yogyakarta is engaged in fashion, namely CV. Z uses the production system on a make-to-order basis. CV. Z is experiencing major problems in the production process so it requires control. Process failures during production often occur so SMEs experience losses and increase costs. To overcome this, it is necessary to identify the risk of failure in the production process to determine the critical risks that must be corrected. Therefore, this study will mitigate risks with the ISO 31000 approach in the production section of CV. Z. Risk assessment is carried out using FMEA. Furthermore, it provides an improvement plan based on the process failure mode to lower the level of risk.

2. Literature Review

This section contains theory used in the research. Theories regarding the importance of risk management and techniques using FMEA are presented.

2.1 Risk Management

Risk management plays an important role for SMEs. With risk management, the uncertainty of achieving something can be detected, for example in terms of achieving increased opportunities, achieving targets, performance, and others (Mateescu, Dinu, & Maftei, 2019). With the implementation of risk management in SMEs, it can prevent expenses from an event that has the potential to occur and this supports SMEs in running and developing future businesses for the long term (Ferreira, Crema, & Verbano, 2020).

One of the studies on risk management in SMEs shows that the results of implementing risk management have a positive impact on a defensive strategic orientation that leads to increased competitiveness (Brustbauer, 2014). In risk management, there are various kinds of processes that are carried out, of which the risk assessment stage is the most important phase (He & Lu, 2018). The risk assessment is carried out both qualitatively and quantitatively. Quantitative methods are more reliable than qualitative because qualitative data relies on subjective evaluation (Mateescu, Dinu, & Maftei, 2019). However, actual risk cannot be completely objective, so in this context, quantitative assessment becomes a technique that supports qualitative assessment (assessment by experts) (Li & Zeng, 2014).

2.2 Failure Mode and Effect Analysis

Failure Model and Effect Analysis (FMEA) is a systematic method that aims to identify and prevent problems before they occur, both in products and processes (McDermott, Mikulak, & Beauregard, 2009). FMEA can increase the effectiveness of the risk assessment process by ensuring the accuracy of the process and its controls (Mateescu, Dinu, & Maftei, 2019). The main objective of FMEA is to identify failure modes, and then make efforts to reduce the occurrence of failures by ranking the highest values based on the RPN value (Nunhes, Motta Barbosa, & de Oliveira, 2017). The failure mode is a way in which a component, system, sub-system, or process has the

potential to fail in meeting a design (Liu, Liu, Bian, Lin, Dong, & Xu, 2011). When a failure mode occurs in one component, it can be the cause of a failure mode in another component. The effect of each identified failure mode needs to be known to anticipate the emergence of other failures (Liu, Liu, Bian, Lin, Dong, & Xu, 2011). Based on the assessment from FMEA, the results can be used to improve quality, design something better, and benchmarking (Doshi & Desai, 2017). Besides, FMEA is also useful for improving testing and process control, both of which are very important parts of a successful product development process (Cabanès, Hubac, Le Masson, & Weil, 2016).

As discussed in part I, there are three factors in determining risk in FMEA, namely the consequences of failure if it occurs or severity (S), the frequency of failure if it occurs or occurrence (O), and the probability of failure being detected before the impact occurs or detection (D). Here will describe each of the ranking criteria from S, O, and D based on (McDermott, Mikulak, & Beauregard, 2009), as shown in Table 1, Table 2, and Table 3.

3. Methodology

This research as a whole was carried out based on the ISO 31000 approach which contains stages for building a risk management structure. The stages in ISO 31000 consist of a communication and consultation process for interested parties; defining the context in the form of company goals; a risk assessment process consisting of risk identification, risk analysis, and risk evaluation; risk treatment; monitoring, and critical review. In the risk assessment process, the FMEA technique is used, where the result is a sequence of failure modes with the highest to lowest RPN values. Next, provide corrective action on the failure mode which is prioritized to reduce the RPN value. The research stages can be seen in Figure 1.

Direct observations are made on the production process to observe problems and

failure modes that occur. The results of the identification of the failure mode are assessed by the expert using a questionnaire to determine the severity (S), occurrence (O), and detection (D). Next, brainstorm to produce suggestions for corrective action. The process of brainstorming is carried out by the production team with SME management to find proposals that can be implemented following company policies.

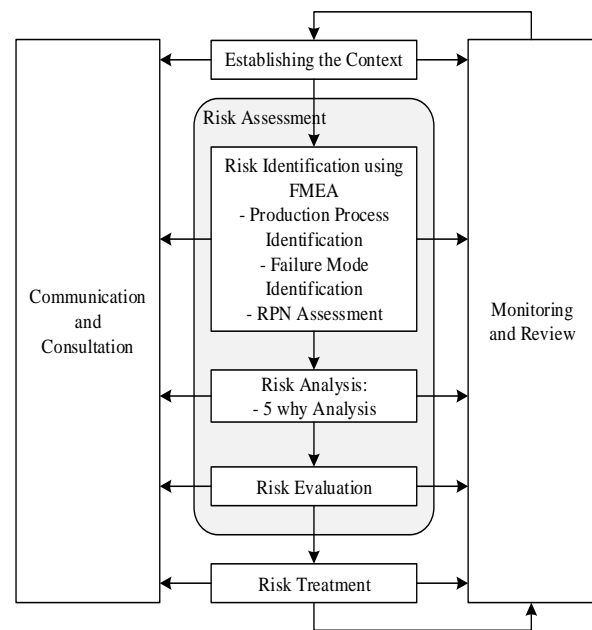


Figure 1. Research Stages based on ISO 31000 Standard with FMEA
Source: ISO (2009)

Table 1. Severity Rating Description (S)

Peringkat	Severity	Deskripsi
10	Dangerous without warning	A system failure that had a very dangerous effect
9	Dangerous with warning	A system failure that produces harmful effects
8	Very high	The system does not operate
7	High	The system is operational and safe, but not fully operational
6	Moderate	The system is operating and

Peringkat	Severity	Deskripsi
5	Low	safe but has decreased performance which affects the output Experience a gradual decline in performance Little effect on system performance
4	Very low	A little influencing system performance Negligible effect on system performance
3	Small	There is no influence
2	Very small	
1	No effect	

Table 2. Occurrence Rating Description (O)

Peringkat	Occurrence	Deskripsi
10	Very high	Failure most of the time (>5 times a day)
9		Failures occur 3-5 times a day
8	High	Failures occur <3 times a day
7		Failures occur once every 2-4 days
6	Moderate	Failures occur once every 5-7 days
5		Failures occur once every 8-14 days
4		Failures occur once every 15-21 days
3		Failures occur once every 22-

Peringkat	Occurrence	Deskripsi
2	Very low	30 days Failures occur once every 2-3 months
1		Failures almost never occur, operators do not remember the last time a failure occurred

4. Results and Discussion

This section discusses the process and results of risk management based on the ISO 31000 approach to CV. Z. The results of the study will show the level of risk experienced by CV. Z current and the corrective actions that can be applied to the identified failure modes.

3.1 Communication and Consultation

The initial process of ISO 31000 is communication and consultation. This is not only at the beginning, but at all stages of risk management to ensure the implementation process is following the management's decision.

3.2 Establishing the Context

Determining the context referred to in this section is determining the goals the company wants to achieve. The business system used by CV. Z is made to order so that the level of uncertainty is very high, so CV. Z wants their production process to run efficiently to minimize uncertainty. The scope of risk management in this study is focused on the production process. Responsibility and authority in carrying out risk management at CV. Z is held by the operational director. Meanwhile, the determination of risk criteria is adjusted to the policies of this company. The risk criterion is related to the company's financing or ability from a financial point of view regarding the decision to take corrective action from the identified risks.

3.3 Risk Assessment

The risk assessment stage is finally carried out after determining the scope of using FMEA. Risk assessment is divided into three stages.

1) Risk Identification: At this stage, the identification process is carried out based on the existing production process in CV. Z. The results of risk identification carried out by FMEA assessment can be seen in Table IV (See attachment I).

In the results of risk identification, 38 failure modes were identified in all processes. The highest RPN is 162 in the defective product failure mode that passes until it is received by the customer. This failure mode will impact the low consumer confidence in the product so that if the frequency of this incident occurs frequently, it will increasingly affect long-term consumer confidence, and the opportunity to get a bigger market will be low, ultimately reducing the number of purchases. When the number of purchases decreases, the income received by the company will also get smaller. This failure mode has a severity value of 9, meaning that the severity is very high and dangerous. When this error occurs, then the consumer complains, the company must bear the shipping costs twice and replace the damage to the product by making a new product. This impact provides financial losses for the company. Besides, the process of making replacement products takes time, which will increase production time. Because the replacement product must be completed as soon as possible, the production process will disrupt the existing queuing process. This ultimately disadvantages the company because the use of time becomes ineffective. For occurrence, the failure mode has a value of 3, which means that this failure mode occurs in a time span between 22-30 days. Even though it is not in a short enough timeframe, this failure mode should still be a concern because the impact that is given greatly affects the value of the business. As for detection, the failure model has a value of 6 which means the company has a fairly low chance of being able to detect the failure.

When the product has been checked by the quality control (QC) department, then the defective product is missed, and the product will be immediately packaged without any further checking processes. After being packaged, the product is sent directly to the consumer's address so that the system that is implemented does not easily detect the failure mode when it has passed the QC process. The mode of failure of the defective product that passes is caused by several possibilities, including the inaccuracy of workers in carrying out the checking process or workers not following the checking procedure that has been designed causing some parts of the product not to be checked so that it is missed and finally the defective product is delivered to the consumer's hands. Another possible cause could also be that the procedures are too complicated for workers to carry out so they are confused, causing reluctance to follow the existing procedures.

2) Risk Analysis: The 5 reasons why analysis is used to determine the cause of the failure mode. The analysis was carried out on the failure model with the highest RPN value. The analysis can be seen in Table 3.

Table 3. Five (5) Why Analysis

Why 1	Why 2	Why 3	Why 4	Why 5
Consumers get defective products	The control process is not detailed	Incorrect application of procedures	There is no evaluation of suitability and ease of implementing the procedure	There is no employee evaluation and
	Workers' fault	Careless	Less working capacity	

Why 1	Why 2	Why 3	Why 4	Why 5
				trainin g

The 5 why analysis asks the cause of a failure mode five times until the root cause is found. If the root is identified, the risk treatment that is carried out will have a significant impact on reducing risk. In failure mode, the defective product escapes until the hands of the consumer identifies two causes in the second why analysis, then traced again until the causes are found in the 3rd to the 5th why.

3) Risk Evaluation: Risk evaluation aims to compare the level of risk with the risk criteria set by the company. The result is a risk-taking action decision that has the greatest benefit for the company if it is chosen to deal with.

Based on a risk analysis of the failure modes of defective products that pass into the hands of consumers, the company considers two root causes to be overcome so that defective products that pass are reduced in frequency or even don't occur again and make it easier to detect the occurrence of failure modes. Cost is a risk criterion that is considered by SMEs when making repairs. Based on the identified root causes, it is estimated that the costs incurred for repairs can still be handled by the company, but it only requires efforts from the management of SMEs to change the working methods so far. Thus, the SME decided to address the two root causes because they both contribute to reducing the occurrence of defective product failure modes that pass into the hands of consumers.

3.4 Risk Treatment

At this stage, corrective action to address the root causes of the failure mode is given. The root causes were found, among others, because there was no evaluation from the management regarding the procedures carried out during the QC process, whether the procedures provided were correct with the standards of each product or not, and the

management also paid less attention to the process of evaluating the abilities of the workers regularly. Periodically so that there is no skill increase and a lack of awareness to always work well. Corrective actions to overcome failures in delivering defective products to consumers, among others, by changing the methods of work that have been carried out so far. More precisely, it provides additional processes as anticipation to reduce the possibility of a defective product dropping by considering the various conditions of the company, both in terms of human resources and the ability of the company as a whole. The first method proposed is to check the product twice by dividing the QC process into two, which are referred to as QC 1 and QC 2. Workers in QC 1 will check the product as a whole, from detailed specifications to general specifications of products based on the provisions that have been prepared by the management. Furthermore, QC 2 will carry out major checks of products that have been checked by QC 1. If a defective part of the product is found in QC 2, then the product has the right to be returned to QC 1 to be followed up by the production department for repairs. Besides, the control process related to this is carried out by defecting the product return form, meaning that a defective product has been found that has passed and the code printed on the product is delayed to proceed to the next process because it must be returned to the production department for repair. It is hoped that this checking system is proposed to reduce the occurrence of defective products that pass into the hands of consumers. The next recommended course of action is to periodically evaluate the procedure. If a high level of defect is found, the team or party responsible for QC must update the specifications of the checking process carried out. If the defect level is reduced, a standardization process must be carried out from the specifications that have been made. The next action to address the root cause of the reduced capacity of workers or low awareness to work well is to provide

training. Training is given regularly to increase work motivation and the results of the training also need to be controlled for its development, whether it has an effect on increased work productivity or not.

3.5 Monitoring and Review

The steps that must be taken from risk management are the existence of a monitoring and critical review process. This step is not the last, but a step that is carried out at all stages. Each stage that is carried out is monitored whether the process is taking place as it should be, for example, monitoring in the risk identification process is correct according to the rules in the FMEA in this study. The controlling party is the management of UKM. Because the process carried out is related to production, the head of the production monitors the risk identification activities carried out by his workers.

5. Conclusion

This study presents the application of the use of the FMEA method to identify risks or failure modes in the production process at CV.Z based on the steps of the ISO 31000 standard. The ISO 31000 approach adopted in the research resulted in a step-by-step risk management process. Then, FMEA contributes as a scoring technique for in-process failure modes, by presenting a ranking of all identified failure modes based on the RPN value.

The results shown by FMEA become the focus for corrective action in this study, namely the failure mode with the largest RPN value. This is a weakness of this study because the proposed improvement is only given to the biggest failure mode. For further research, it is hoped that it can provide improvement suggestions for the three failure modes with the largest RPN value, for example. The goal is to reduce the level of risk achieved by SMEs more significantly. Besides, in the FMEA method, there are differences in the values of three risk factors, namely severity, occurrence, and detection, which have different impacts. The relative

weights of the three factors are not considered in calculating the RPN value. In fact, in different cases, the risk factors may have varying degrees of severity. It is hoped that in the future we can consider a fuzzy approach to overcome this weakness which can result in a large level of importance from the input severity, occurrence, and detection parameters of the FMEA method.

References

- Anton, S. A., Muzakan, I., Muhammad, W. F., Sudin, S.-, & Sidiq, N. P. (2015). An Assessment of SME Competitiveness in Indonesia. *Journal of Competitiveness*, 7(2), 60–74. <https://doi.org/10.7441/joc.2015.02.04>
- Bajo, J., Borrajo, M. L., De Paz, J. F., Corchado, J. M., & Pellicer, M. A. (2012). A multi-agent system for web-based risk management in small and medium business. *Expert Systems with Applications*, 39(8), 6921–6931. <https://doi.org/10.1016/j.eswa.2012.01.001>
- Brustbauer, J. (2014). Enterprise risk management in SMEs: Towards a structural model. *International Small Business Journal*, 1–16. <https://doi.org/10.1177/0266242614542853>
- Cabanes, B., Hubac, S., Le Masson, P., & Weil, B. (2016). From FMEA as a problem solving method to a design-oriented process: Toward a design perspective of FMEA. *Proceedings of International Design Conference, DESIGN, DS 84*, 589–600.
- Doshi, J., & Desai, D. (2017). Application of failure mode & effect analysis (FMEA) for continuous quality improvement - multiple case studies in automobile SMEs. *International Journal for Quality Research*, 11(2), 345–360. <https://doi.org/10.18421/IJQR11.02-07>
- Enis Bulak, M., & Turkyilmaz, A. (2014). Performance assessment of manufacturing SMEs: a frontier approach. *Industrial Management &*

- Data Systems*, 114(5), 797–816.
<https://doi.org/10.1108/IMDS-11-2013-0475>
- Ferreira de Araújo Lima, P., Crema, M., & Verbano, C. (2020). Risk management in SMEs: A systematic literature review and future directions. *European Management Journal*, 38(1), 78–94.
<https://doi.org/10.1016/j.emj.2019.06.005>
- He, C., & Lu, K. (2018). Risk management in smes with financial and non- financial indicators using business intelligence methods. *Management, Knowledge and Learning International Conference*.
- ISO. (2009). *International Standard Risk Management - Principles and guidelines ISO 31000*.
- Li, S., & Zeng, W. (2014). Risk analysis for the supplier selection problem using failure modes and effects analysis (FMEA). *International Journal of Manufacturing*.
<https://doi.org/10.1007/s10845-014-0953-0>
- Liu, H. C., Liu, L., Bian, Q. H., Lin, Q. L., Dong, N., & Xu, P. C. (2011). Failure mode and effects analysis using fuzzy evidential reasoning approach and grey theory. *Expert Systems with Applications*, 38(4), 4403–4415.
<https://doi.org/10.1016/j.eswa.2010.09.110>
- Mateescu, R. M., Dinu, V., & Maftei, M. (2019). Risk Management Methods: FMEA and its Influence on Risk Handling Costs. *Studies in Computational Intelligence*, 183–195.
https://doi.org/10.1007/978-3-658-26172-6_11
- McDermott, R. E., Mikulak, R. J., & Beauregard, M. R. (2009). *The Basics of FMEA* (Intergovernmental Panel on Climate Change (ed.)). Cambridge University Press.
<https://doi.org/10.1017/CBO9781107415324.004>
- Nunhes, T. V., Motta Barbosa, L. C. F., & de Oliveira, O. J. (2017). Identification and analysis of the elements and functions integrable in integrated management systems. In *Journal of Cleaner Production* (Vol. 142, pp. 3225–3235).
<https://doi.org/10.1016/j.jclepro.2016.10.147>
- Proenca, D., Estevens, J., Vieira, R., & Borbinha, J. (2017). Risk Management: A Maturity Model Based on ISO 31000. *2017 IEEE 19th Conference on Business Informatics (CBI)*, 1, 99–108.
<https://doi.org/10.1109/CBI.2017.40>
- Silva, M. M., De Gusmão, A. P. H., Poletto, T., Silva, L. C. E., & Costa, A. P. C. S. (2014). A multidimensional approach to information security risk management using FMEA and fuzzy theory. *International Journal of Information Management*, 34(6), 733–740.
<https://doi.org/10.1016/j.ijinfomgt.2014.07.005>

Attachment 1

Risk Identification Based on FMEA Assessment

Production process	Failure Mode	Severity	Causes	Occurrence	Impact	Detection	RP N
Batik pattern designing	Pattern shaping mistakes	6	Shifted pattern paper because the slippery fabric	6	Asymmetrical pattern	1	36
Batik process	<i>Canting</i> is clogged	5	Low quality of <i>malam</i> so it is dirty	6	Intermittently when used so the batik's quality is bad	1	30
	Malam temperature is not proper	3	Stove temperature that is too hot or not hot enough	5	Batik's quality is bad	1	15
	There are malam drops on the cloth	6	<i>Human error</i>	3	Batik's quality is bad	1	18
Fabric coloring	Malam's washing is not clean	6	The cloth has been stored for a long time, boiled water is dirty	4	Repeating the boiling process	1	24
	Unbalanced color composition	7	No standard measure, the number of color uses is based on estimates	4	The staining result is not up to standard	2	56
Make a production order	The printer ink is running out	3	Operators do not check stocks	2	Work is pending	1	6
	The paper	3	Operators	2	Work is	1	6

Production process	Failure Mode	Severity	Causes	Occurrence	Impact	Detection	RP N
	is running out		do not check stocks		pending		
	Internet connection problem	5	Server network error, the connection is fragmented	3	The process take a long time	2	30
	Tucked clothes order	7	Order PO entered into the order ready	5	Delayed delivery time	2	70
	Error in entering receipt number	5	Human error	2	Re-enter the receipt number, customer complains	1	10
	JNE's receipt paper ran out	4	The stock is low, uncertainty time JNE receipt paper restock	2	Delay in inputting receipt numbers into the admin group	1	8
Fabric pre-cut process	The ordered fabric size does not match	4	Supplier's cheating	6	Take back for lacking the cloth	2	48
	Cut out of size	6	Human error	8	Take back for lacking the cloth	1	48
	Stripes color on the fabric	7	Using a sampling system to check when the material arrives	3	Replace with a not striped cloth	1	21
Patterns and fabric cutting process	Lack of fabric	7	Mottle fabric, the pre-cut fabric size does not match	6	There is excess transportation to take away the shortage	2	84

Production process	Failure Mode	Severity	Causes	Occurrence	Impact	Detection	RPN
					of cloth, the cut cloth cannot be used		
	Wrong size in making patterns	6	The pattern is used only on 1 side	2	Repeat work from scratch	2	24
	Incomplete fabric components	6	Operator lacks understanding about the components of the shirt	3	Sewing process delay	2	36
	Cutting error	6	The cut fits snugly on pattern lines with no looseness	5	Repeat work from scratch	1	30
Sewing process	The stitches do not match the size	7	Too many fabric edges, only partial pattern outline	6	Not standard clothing size	2	84
	The stitch results do not match the design	7	Tailor's human error, not using a sample, only have 1 sample	7	Did not pass QC process	1	49
	Untidy hem result	5	Human error	8	Repair or start over from scratch	2	80
	Missing pieces of cloth	7	Workers do not store cloth neatly, changing shifts	2	Sewing can not be done	2	28
	Power outage	8	Rotating power outages by PLN	2	Job not operating	2	32
	Lack of	6	Yarns and	9	The	1	54

Production process	Failure Mode	Severity	Causes	Occurrence	Impact	Detection	RPN
	equipment for sewing		zippers are not put in the basket upon collection		operator must return to the pre-cut section to pick up material shortages		
	Broken sewing machine	8	No periodic maintenance yet, 1 machine is used by more than 1 operator	4	Machine inoperable, job delayed, operator idle	1	32
QC	Products pass through to delivery	9	Human error	3	Consumer trust decreases	6	162
Accessories installation	Using the wrong color of thread	6	Human error	2	Rework	1	12
	Incorrect buttonhole size	6	Human error	3	Fix it by multiplying or increasing the hole size	2	36
	Installing incorrect studs	6	Operators lack concentration, studs storage is not grouped	3	Repeats by attaching the appropriate studs	1	18
Finishing	Power outage	8	Rotating power outages by PLN	2	Job not operating	2	32
Packing	Error in entering ordered clothes	10	Careless workers, work in a hurry, almost same inputs code between CS	2	Complaints from customer	3	60

Production process	Failure Mode	Severity	Causes	Occurrence	Impact	Detection	RP N
	Wrong in sorting clothes	6	Human error	2	Re-search the order based on CS code input	1	12
	Wrong in using packing paper	5	Human error	2	Change packaging to a suitable size	1	10
	Wrong order address	10	Human error	2	Complaints from customer	2	40
	Wrong in using tape	5	Human error	2	Reprint the address paper	1	10
	Tucked order paper	7	Untidy arrangement of workplace	3	Not recording the correct amount of shipments , double-check the process	2	42
	The tape runs out	7	Operator does not check stocks	2	Work in pending	1	14

Analisis Kuat Geser Bioadhesive Berbahan Soy Protein Isolated (SPI) dengan Variasi Natrium Sulfit dan Asam Sitrat

Valenia Adysta Kirana¹⁾, Budhijanto²⁾, Gilang Afif Setya Ramadhani³⁾

*Departemen Teknik Kimia, Fakultas Teknik, Universitas Gadjah Mada
Jl. Grafika no 2, Yogyakarta, 55281, Indonesia^{1,2,3)}
E-Mail : budhijanto@ugm.ac.id²⁾*

ABSTRAK

Penggunaan *bioadhesive* yang semakin meningkat membuat perkembangan *bioadhesive* semakin cepat. Salah satu penggunaan *bioadhesive* adalah dalam dunia medis. *Bioadhesive* digunakan karena memiliki beberapa kelebihan dari perekat komersial, seperti tidak beracun, tidak menggunakan solven organik, dan dapat didegradasi oleh tubuh. Penelitian ini menggunakan *soy protein isolate* (SPI) sebagai bahan utama dalam pembuatan *bioadhesive* dengan beberapa pengujian seperti kuat geser, *solid content*, viskositas, dan FTIR. SPI biasanya digunakan sebagai bahan campuran makanan untuk menambah nutrisi berupa protein sehingga memiliki tingkat keamanan *food-grade* sehingga tidak berbahaya bagi tubuh. Pembuatan perekat dari SPI ini juga menggunakan bahan tambahan lain seperti natrium sulfit dan asam sitrat dan melalui dua proses, yaitu: denaturasi protein dan *crosslinking* dengan asam sitrat. Proses tersebut dilakukan pada suhu 55°C dan tekanan atmosfer selama 30 menit dan 10 menit. Berdasarkan hasil pengujian tersebut diperoleh kuat geser kering sebesar 1,9051 MPa dan kuat geser basah sebesar 1,6093 MPa.

Kata kunci: asam sitrat, *bioadhesive*, kuat geser, *soy protein isolated*.

1. Pendahuluan

Perekat atau dapat disebut *adhesive* merupakan suatu bahan yang dapat membentuk ikatan pada kedua bagian sehingga dapat saling mengikat satu sama lain karena adanya gaya adhesi (Ebnesajjad & Landrock, 2015). Fungsi utama dari perekat yaitu untuk merekatkan dua permukaan menjadi satu. Perekatan dapat terjadi karena adanya kontak antara 2 permukaan yang disebabkan berbagai macam hal, yaitu gaya Van der Waals, ikatan kimia, atau elektrostatis (Packham, 2015). Terdapat dua jenis perekat berdasarkan bahan pembuatnya yaitu perekat alami dan sintesis.

Perekat sudah menjadi bagian penting dari hidup kita sehari-hari, contohnya pada industri kayu biasanya digunakan perekat berbahan *Polyvinyl Acetat (PVAc)* dengan solven *toulen* (Zheng, Lin, Li, Ou, & Chen, 2017). Menurut informasi dari sejumlah penelitian, perekat sintesis tersebut ternyata menghasilkan bau menyengat yang dapat menyebabkan mabuk atau halusinasi jika

terlalu lama dihirup karena mengandung *Lysergic Acid Diethylamide (LSD)*. Oleh karena itu, saat ini marak dilakukan penelitian mengenai perekat alami.

Perekat alami atau *bioadhesive* terbuat dari bahan-bahan alami seperti limbah, getah tumbuhan, gelatin, lignin, dll (Eskani, Widiastuti, & Lathifah, 2014). Namun sayangnya perekat alami biasanya memiliki kuat tarik yang lebih lemah dan memiliki umur yang lebih pendek dibandingkan perekat sintesis karena mudah tumbuh jamur. *Bioadhesive* memiliki kelebihan yaitu tidak beracun sehingga sangat cocok untuk digunakan sebagai pengganti perekat sintesis. Selain itu hingga saat ini, *bioadhesive* juga sudah banyak dikembangkan dan digunakan untuk keperluan medis (Li, Zhou, Huang, Roy, Zhou, Yum, Sun, & Tang, (2020). Untuk daya rekatnya, dapat dikatakan bahwa *bioadhesive* tidak kalah dengan perekat sintesis dan bahkan dapat ditingkatkan seiring dengan penelitian-penelitian berikutnya.

Pada penelitian ini, *bioadhesive* dibuat dari bahan *soy protein isolated* (SPI) dan natrium sulfat sebagai *denaturan* serta menggunakan katalis asam sitrat yang ditujukan sebagai *crosslinker* guna meningkatkan kuat geser dari *bioadhesive*. Perbedaan penelitian ini dibandingkan penelitian sebelumnya yaitu adanya penambahan asam ke dalam *bioadhesive*. Oleh karena itu, penelitian ini bertujuan untuk mengetahui kualitas *bioadhesive* yang dihasilkan serta pengaruh dari bahan-bahan yang digunakan. Sebagai referensi, kualitas *bioadhesive* yang baik adalah ketika *bioadhesive* tersebut memiliki umur yang panjang dan nilai kuat geser yang baik sehingga mampu bersaing dengan perekat sintesis di pasaran.

2. Metodologi

Penelitian ini dilaksanakan pada bulan Februari – Oktober 2021, di kota Yogyakarta. Suhu udara pada lokasi saat penelitian dilaksanakan berada pada rentang 28 - 30°C.

2.1 Bahan *Bioadhesive*

Bahan-bahan yang digunakan pada penelitian adalah *soy protein isolated* (SPI) sebagai bahan utama yang mengandung unsur protein, *aquadest* yang digunakan sebagai pelarut, natrium sulfat digunakan sebagai denaturan protein, asam sitrat sebagai *crosslinker* sekaligus katalis, serta papan kayu sebagai media uji kuat geser dari *bioadhesive*. Semua bahan tersebut diperoleh dari Laboratorium Teknik Reaksi Kimia dan Katalis, Fakultas Teknik, Universitas Gadjah Mada.

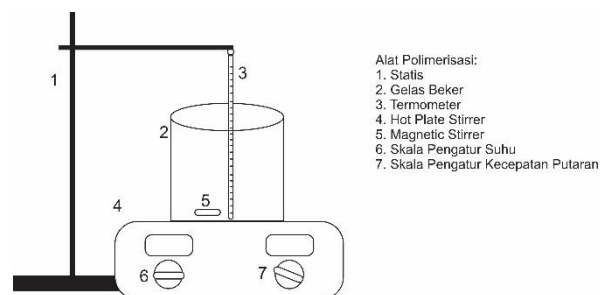
2.2 Pembuatan Perekat

Soy Protein Isolated (SPI) ditimbang sebanyak 15 gram dan *aquadest* sebanyak 85 mL ditambahkan ke dalam gelas beker 250 mL yang telah dirangkai seperti Gambar 1. Kemudian diaduk manual menggunakan gelas pengaduk hingga terbentuk *slurry*. Setelah itu, pengadukan dilakukan secara

kontinyu selama reaksi berlangsung dengan bantuan *hot plate stirrer*. Suhu diatur pada skala 55 – 60°C dan kecepatan pengadukan menyesuaikan. Larutan SPI tersebut dipanaskan selama 5 menit pada suhu 55 – 60°C dan suhu dipertahankan tetap.

Natrium *bisulfit* (*denaturan*) sebanyak 0,6 gram ditambahkan ke dalam larutan SPI, kemudian pengadukan dilakukan selama 30 menit. Pembuatan sampel diulangi untuk natrium *bisulfit* sebanyak 0,8 gram, 1 gram, 1,2 gram, dan 1,4 gram.

Asam sitrat sebanyak 8 gram ditambahkan ke dalam sampel dan pengadukan dilanjutkan selama 10 menit. Pembuatan sampel diulangi untuk asam sitrat sebanyak 10 gram, 12 gram, 14 gram, dan 16 gram. Setelah reaksi selesai, perekat dimasukkan ke wadah untuk diperam selama 1 hari.



Gambar 1. Rangkaian Alat Polimerisasi

2.3 Uji Viskositas

Setelah diperam selama 1 hari, perekat akan diuji viskositasnya menggunakan *Viscosimeter Brookfield* menurut ASTM-D1084. Perekat sebanyak 100 – 150 mL dimasukkan ke dalam wadah, pemilihan ukuran *spindle* dan kecepatan putaran tergantung dengan kekentalan perekat. *Spindle* yang sudah sesuai dipasang pada alat dan kecepatan putaran diatur. Viskositas dicatat saat % torsi sudah menunjukkan angka 10 – 90%.

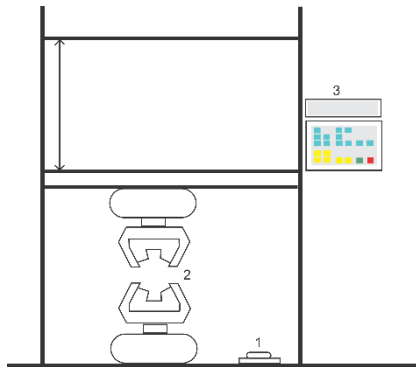
2.4 Uji Solid Content

Perekat ditimbang sebanyak 1 gram dan diletakkan pada *petri dish*. Oven dipanaskan

hingga suhu 100°C, kemudian perekat dioven selama 1 jam. Setelah itu, sampel didinginkan pada eksikator selama 10 menit dan sampel ditimbang. Percobaan diulangi sebanyak 2 kali, sehingga setiap sampel mempunyai 3 data *solid content*.

2.5 Uji Kuat Geser Kering

Perekat diaplikasikan ke papan kayu berukuran 3×2,5 cm sebanyak ± 0,1 gram mengikuti standar ASTM-D906. Setiap sampel diaplikasikan ke 5 pasang kayu. Sampel yang sudah direkatkan, diberi beban tekanan sebesar $3,27 \times 10^{-2}$ N/mm² dan didiamkan pada suhu ruangan 25 – 30°C. Setelah 1 hari, beban dilepas dan sampel didiamkan selama 7 hari sebelum dilakukan pengujian. Selanjutnya, kuat geser sampel diuji menggunakan *Universal Testing Machine* (Gambar 2) dengan kecepatan penarikan 10 mm/menit.



Gambar 2. *Universal Testing Machine*

2.6 Uji Kuat Geser Basah

Perekat diaplikasikan ke papan kayu berukuran 3×2,5 cm sebanyak ± 0,1 gram mengikuti standar ASTM-D906. Setiap sampel diaplikasikan ke 5 pasang kayu. Sampel yang sudah direkatkan, diberi beban tekanan sebesar $3,27 \times 10^{-2}$ N/mm² dan didiamkan pada suhu ruangan 25–30°C. Setelah 1 hari, beban dilepas dan sampel didiamkan selama 7 hari sebelum dilakukan pengujian. Pemilihan waktu tersebut didasarkan pada waktu yang dibutuhkan *bioadhesive* untuk mengeras. Sebelum pengujian, sampel direndam di dalam air selama 3 jam terlebih dahulu kemudian

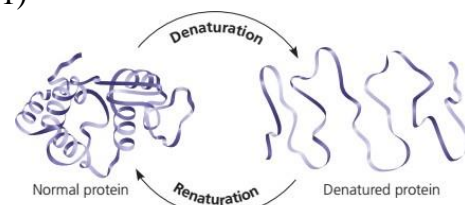
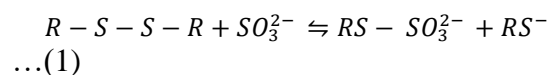
dikeringkan selama 1 jam. Setelah itu, kuat geser basah sampel diuji menggunakan *Universal Testing Machine* (Gambar 2) dengan kecepatan penarikan 10 mm/menit.

2.7 Uji FTIR

Dalam analisis pengujian ini, digunakan spektrofotometer FT-IR Mb 3000. Panjang gelombang yang digunakan berkisar antara 4000 dan 400 cm⁻¹ dengan resolusi 4 cm⁻¹ dan 32 *scanning*.

3. Hasil dan Pembahasan

Dalam penelitian ini, terjadi dua reaksi, yaitu reaksi denaturasi protein dan reaksi polimerisasi. Reaksi denaturasi adalah reaksi pemutusan ikatan disulfida pada protein sehingga protein terurai dari struktur kuartener, tersier, dan sekunder menjadi struktur primer (Anson & Mirsky, 1931). Proses denaturasi terjadi tanpa pemutusan ikatan kovalen kecuali ikatan disulfida. Denaturasi yang terjadi dapat bersifat *reversible* maupun *irreversible* (Schmid, Prinz, Stäbler, & Sänglerlaub, 2017). Pada penelitian ini, denaturasi terjadi dengan bantuan natrium sulfit sebagai *denaturan* dengan reaksi sebagai berikut.



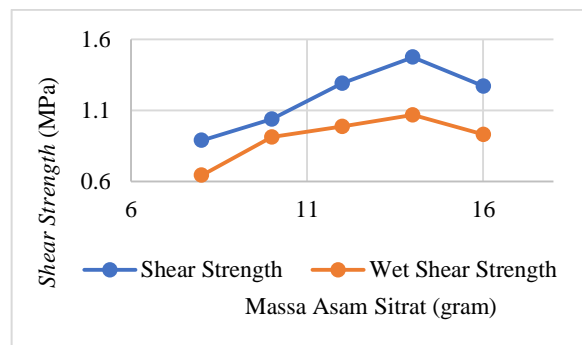
Gambar 3. Reaksi Denaturasi Protein

Reaksi yang kedua adalah reaksi polimerisasi kondensasi. Pada reaksi ini, produk yang diharapkan adalah terbentuknya poliamida (Saldívar & Vivaldo, 2013). Poliamida adalah suatu polimer yang mengandung gugus amida sebagai penyusun rantai induk suatu polimer (Leggett, & David, 1959). Gugus-gugus pembentuk

poliamida adalah gugus *karboksilat* dari asam sitrat dan gugus amin dari protein.

Analisis kuat geser dilakukan dengan standar ASTM-D906 untuk kuat geser kering dan ASTM-D1183 untuk kuat geser basah. Pengujian ini dilakukan dengan cara menguji bioadhesive yang telah diaplikasikan ke kayu dengan luas aplikasi 25 mm×30 mm. Pengujian dilakukan dengan mengambil 5 data sehingga untuk setiap *bioadhesive* yang dibuat diaplikasikan kepada 5 pasang kayu. Kelima sampel tersebut diperlakukan secara sama sehingga menghasilkan data yang akurat.

Pada pengujian kuat geser diperoleh nilai kuat geser kering untuk SPI murni sebesar 0,9653 MPa dan kuat geser basah sebesar 0,6775 MPa. Berdasarkan data dari kuat geser, dapat diketahui bahwa jumlah *denaturasi* optimum yaitu sebesar 1 gram, dengan nilai kuat geser kering 1,9051 MPa dan kuat geser basah 1,6093 MPa. Sedangkan grafik untuk kuat geser variasi asam sitrat dapat dilihat pada Gambar 4. Dari grafik terlihat bahwa kuat geser akan naik seiring dengan penambahan jumlah asam sitrat hingga mencapai jumlah asam sitrat optimum dan setelahnya kuat geser akan mengalami sedikit penurunan. Penambahan jumlah asam dapat mengakibatkan semakin banyaknya gugus C=O atau ikatan poliamida yang terbentuk, yang mana ikatan tersebut dapat meningkatkan nilai kuat geser. Diperoleh jumlah asam sitrat optimum yaitu pada saat penambahan asam sitrat sebanyak 14 gram. Jumlah asam sitrat optimum tersebut menunjukkan nilai kuat geser terbesar yaitu untuk kuat geser kering sebesar 1,4742 MPa dan kuat geser basah sebesar 1,0681 MPa. Berdasarkan data kuat geser, dapat diketahui jika terjadi penurunan nilai kuat geser kering sebesar 0,3 – 0,4 kali kuat geser basah. Hal tersebut wajar terjadi karena pada dasarnya air tidak memiliki sifat *adhesive* sehingga dapat menurunkan nilai kuat geser dari sampel.

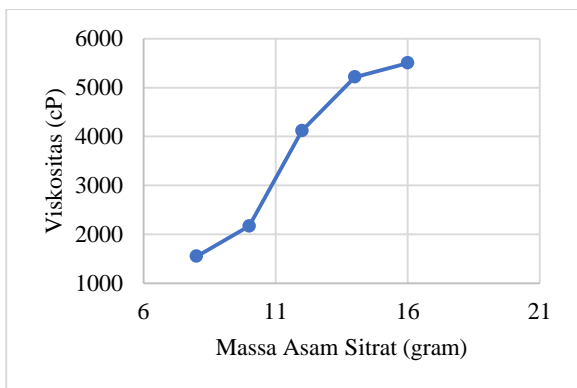


Gambar 4. Grafik Kuat Geser Kering dan Basah pada Berbagai Massa Asam Sitrat

Bila dilihat dari data pada Gambar 4, terjadi kenaikan nilai kuat geser baik kering maupun basah dari sampel SPI murni bila dibandingkan dengan SPI/D. Hal tersebut dapat terjadi karena pada sampel SPI/*Denaturasi* sudah terjadi denaturasi protein yang mana akan berikatan dengan gugus -OH pada kayu dan membentuk gugus -COOH. Namun hal tersebut berlawanan dengan terjadinya penurunan nilai kuat geser pada SPI/D/AS bila dibandingkan dengan SPI/D. Bila kedua sampel tersebut dibandingkan, kandungan senyawa C=O amida pada sampel SPI/D/AS lebih banyak, seharusnya memiliki nilai kuat geser yang jauh lebih besar dari SPI/D. Akan tetapi, malah terjadi penurunan kuat geser baik kering maupun basah. Hal ini disebabkan karena gugus C=O amida sudah habis bereaksi dengan dirinya sendiri, sehingga tidak ada lagi yang sisa C=O amida untuk bereaksi atau berikatan dengan gugus -OH dari kayu, di mana hal ini dapat menurunkan nilai kuat geser.

Pada pengujian sampel digunakan *spindle* 4 karena sampel sangat kental. Dari pengujian ini diketahui bahwa viskositas dari SPI murni tidak dapat ditentukan karena sampel sudah berwujud semi padatan, sehingga alat tidak mampu mengukur nilai viskositasnya. Untuk viskositas dari sampel SPI/D diperoleh viskositas yang bervariasi yaitu mulai dari 20.910 – 42.045 cP. Dari data ini dapat diketahui bahwa semakin banyak *denaturasi* yang ditambahkan maka sampel akan semakin kental atau semakin besar nilai viskositasnya. Hal tersebut dikarenakan semakin banyak protein yang

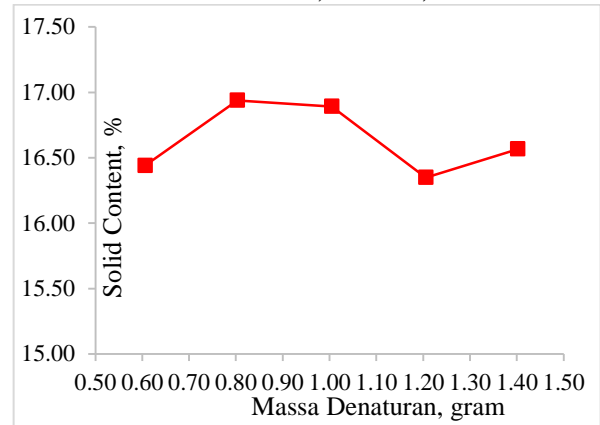
ter-denaturasi maka agregasi yang terjadi juga semakin banyak, di mana saat agregasi terjadi akan terjadi kenaikan viskositas pada sampel. Berdasarkan data analisis kuat geser diketahui bahwa jumlah *denaturan* optimum sebesar 1 gram yang memiliki viskositas sebesar 25.530 cP. Sedangkan untuk viskositas dari variasi asam sitrat bila dibandingkan dengan SPI/D optimum, akan menunjukkan grafik turun yang berarti viskositas mengalami penurunan pada saat penambahan asam sitrat. Hal tersebut dapat terjadi karena pada reaksi antara asam sitrat dan protein dihasilkan produk berupa air, di mana air tersebut akan menyebabkan nilai viskositas menurun. Namun bila hanya dilihat dari variasi asam sitrat yang ditunjukkan pada Gambar 5, grafik viskositas akan meningkat seiring dengan penambahan asam. Hal tersebut wajar terjadi karena semakin banyak padatan yang dimasukkan ke dalam sampel akan menyebabkan sampel menjadi semakin kental sehingga viskositas meningkat.



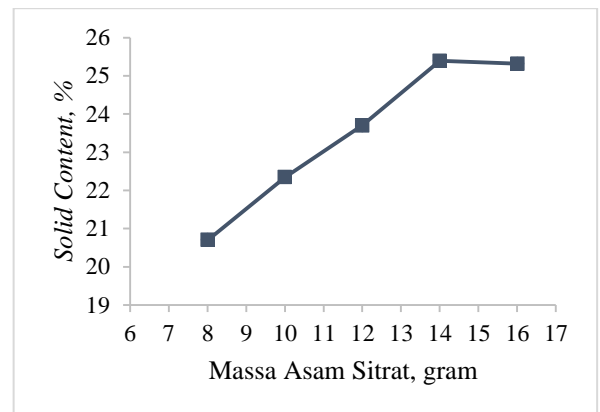
Gambar 5. Grafik Viskositas pada Berbagai Massa Asam Sitrat

Pada pengujian *solid content* diperoleh data untuk sampel blangko sebesar 14,43%. Untuk sampel SPI/D diketahui bahwa nilai dari *solid content* relatif konstan yaitu pada kisaran 16,35 – 16,94%, dapat dilihat pada Gambar 6. Hal ini wajar terjadi karena penambahan *denaturan* sangat sedikit sehingga pengaruh terhadap *solid content*-nya pun tidak cukup signifikan. Sedangkan untuk sampel SPI/D/AS nilai *solid content*-nya cenderung naik walaupun juga tidak signifikan. Grafik dapat dilihat pada Gambar

7. Hal ini disebabkan karena jumlah padatan yang ditambahkan sudah cukup banyak sehingga kandungan padatan dalam sampel pun semakin banyak di mana hal ini dapat meningkatkan nilai *solid content*. Nilai *solid content* berkisar dari 20,70 – 25,32%.



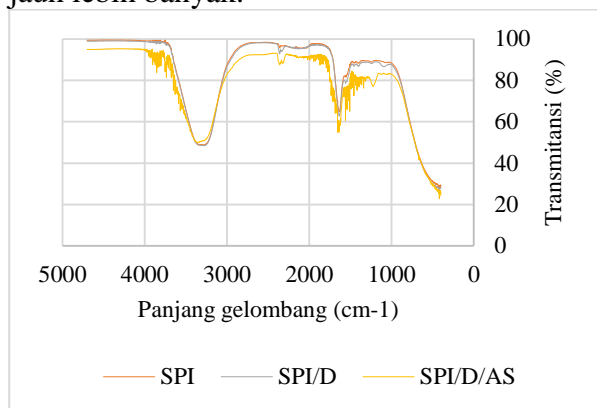
Gambar 6. Grafik *Solid Content* pada Berbagai Massa Denaturan



Gambar 7. Grafik *Solid Content* pada Berbagai Massa Asam Sitrat

Data hasil pengujian FTIR dari sampel blangko, *denaturan* optimum, dan variasi asam sitrat ditunjukkan pada Gambar 8. Dari data hasil FTIR diketahui bahwa SPI murni memiliki 4 peaks yaitu pada 1.400,66 (C=C aromatik); 1.558,04 (C=C aromatik dan C=O amida); 1635,3 (C=C alkena); dan 3290,63cm⁻¹ (CH stretch atau OH strong). Bila dilihat pada grafik, sebetulnya tidak banyak perbedaan untuk SPI murni dan SPI/*Denaturan* yang membedakan hanya tinggi dari beberapa *peak*-nya saja. Bila dibandingkan peak 1.553 pada sampel SPI/D dengan *peak* 1.558 pada SPI murni, terlihat bahwa *peak* di SPI/D lebih tinggi daripada

SPI. Hal tersebut berarti bahwa kandungan senyawa C=O amida pada SPI/D sedikit lebih banyak daripada SPI murni (Kirana, 2021). Sedangkan hasil FTIR sampel SPI/D/AS cukup memiliki perbedaan bila dibandingkan dengan kedua sampel lainnya. Pada SPI/D/AS terlihat bahwa terdapat banyak peak pada 1.525 – 1.549, di mana peak ini menunjukkan banyaknya kandungan dari C=O amida pada sampel. Hal tersebut membuktikan bahwa ikatan poliamida yang terbentuk pada sampel jauh lebih banyak.



Gambar 8. Hasil Uji FTIR

4. Kesimpulan

Kesimpulan yang dapat diambil dari penelitian ini yaitu penambahan *denaturan* berupa natrium sulfit dapat meningkatkan kuat geser *bioadhesive*. Akan tetapi, penambahan asam sitrat menurunkan kuat geser *bioadhesive*. Viskositas dari *bioadhesive* yang dihasilkan meningkat seiring dengan penambahan *denaturan* dan turun setelah penambahan asam sitrat. Viskositas meningkat terhadap variasi asam sitrat. *Solid content* cenderung meningkat seiring dengan penambahan asam sitrat. Pada pengujian kuat geser diperoleh kuat geser kering optimum sebesar 1,9051 MPa dan kuat geser basah sebesar 1,6093 MPa.

Daftar Pustaka

Anson, M. L., & Mirsky, A. A. E. (n.d.). *THE E F F E C T OF DENATURATION ON THE VISCOSITY OF PROTEIN SYSTEMS* *The Journal of General*

Physiology.

<http://rupress.org/jgp/article-pdf/15/3/341/1234524/341.pdf>

Ebnesajjad, S., & Landrock, A. H. (2015). Characteristics of Adhesive Materials. In *Adhesives Technology Handbook* (pp. 84–159). Elsevier. <https://doi.org/10.1016/b978-0-323-35595-7.00005-x>

Eskani, I. N., Widiastuti, R., & Lathifah, N. N. (2014). Karakterisasi perekat alami dari tumbuhan untuk industri kerajinan. Seminar Nasional Teknologi Industri Hijau 2, May 2017, 295–300.

Leggett, J., And, B., & Colei, R. D. (1959). Studies on the Reaction of Sulfite with Proteins*. In *THE JOURNAL OF Bio~o~rca~ CHE~.USTRY* (Vol. 234, Issue 7).

Li, S., Zhou, J., Huang, Y. H., Roy, J., Zhou, N., Yum, K., Sun, X., & Tang, L. (2020). Injectable Click Chemistry-based Bioadhesives for Accelerated Wound Closure. *Acta Biomaterialia*, *110*, 95–104. <https://doi.org/10.1016/j.actbio.2020.04.004>

Packham, D. E. (2005). Handbook of Adhesion Promoters. In John Wiley and Sons, Ltd (2nd ed.). John Wiley.

Saldívar, E., & Vivaldo, E. (2013). Handbook of Polymer Synthesis, Characterization, and Processing | Wiley. In Wiley. <https://www.wiley.com/en-ec/Handbook+of+Polymer+Synthesis,+Characterization,+and+Processing-p-9780470630327>

Schmid, M., Prinz, T. K., Stäbler, A., & Sänglerlaub, S. (2017). Effect of sodium sulfite, sodium dodecyl sulfate, and urea on the molecular interactions and properties of whey protein isolate-based films. *Frontiers in Chemistry*, *5*(JAN). <https://doi.org/10.3389/fchem.2016.00049>

Kirana, V. (2021). Analisis Kuat Geser Bioadhesive Berbahan Soy Protein

Isolated (SPI) dengan Variasi Natrium Sulfit dan Asam Sitrat. Seminar Mahasiswa teknik Kimia 2021, 17-18.

Zheng, P., Lin, Q., Li, F., Ou, Y., & Chen, N. (2017). Development and characterization of a defatted soy flour-based bio-adhesive crosslinked by 1,2,3,4-butanetetracarboxylic acid. *International Journal of Adhesion and Adhesives*, 78, 148–154. <https://doi.org/10.1016/j.ijadhadh.2017.06.016>

Selection of Pin Component Suppliers for Checking Fixture Products Using an Analytical Hierarchy Process Approach

Febriza Imansuri¹⁾, Ditya Aritama²⁾, Fredy Sumasto³⁾, B. Handoko Purwojatmiko⁴⁾

Automotive Industrial Engineering, Politeknik STMI Jakarta

Jl. Letjen Suprpto No.26, Kec. Cempaka Putih, Kota Jakarta Pusat, DKI Jakarta 10510, Indonesia¹²³⁾

E-Mail : febriza@stmi.ac.id¹⁾, dityaaritama08@gmail.com²⁾, f-sumasto@kemenperin.go.id³⁾, h.purwojatmiko@gmail.com⁴⁾

ABSTRACT

The objective of this study is to employ a multi-criteria decision-making system technique to identify the most optimal supplier in the automotive components sector. When selecting a supplier, it is crucial to evaluate the pros and downsides of each source in order to secure the most suitable one. Bahana, Ltd is a company that specializes in the production of plastic components, molds, jigs, and equipment. During the production process of inspecting fixture items, pin components are required to assemble the components that need to be assembled. At now, there are no explicit guidelines for choosing suppliers, and the selection process relies solely on subjective evaluations. Consequently, it is necessary to establish supplier selection criteria through the utilization of the Analytical Hierarchy Process (AHP) methodology. This strategy is highly suitable for resolving decision-making challenges. Bahana, Ltd employs pairwise comparisons to evaluate four criteria: pricing, quality, communication, and location. Bahana, Ltd has the highest criteria value of 0.36 in terms of quality, followed by a value of 0.33 in terms of pricing. Hence, the paramount criteria in supplier selection are quality and pricing. According to the AHP calculation results, PT A was determined to be the optimal choice as it obtained the highest weight value in comparison to other suppliers.

Keywords: Analytical Hierarchy Process, Expert, Supplier

1. Introduction

Bahana, Ltd is a manufacturer of plastic components, molds, jigs, and fixtures. Checking fixtures is a supporting component that greatly influences product quality. That product can optimize the function and geometry of another product. Checking fixtures helps in checking the dimensions and geometry of components or products. One of the components contained in the checking fixture product is the pin. The function of the pin component is to ensure that the hole-checking fixture made in the product is the correct size and can be used properly. The pin ordering process is carried out after the consumer requests to make a checking fixture. Specifications for different pin sizes can be ordered based on the size of the checking fixture.

Suppliers are parties who sell or supply raw materials in the form of raw materials to be processed into certain goods or

services. Suppliers play an important role in providing raw materials for the ongoing production activities of a company. In this case, the company must collaborate with suppliers to achieve satisfactory production results. Choosing a supplier is a challenging task. Procurement of goods or raw materials often faces problems such as delays in delivery, which automatically hampers the supplier company's production activities, prices of raw materials that do not match consumer goals, and raw material quality does not match consumer desires (Abdulla, Baryannis, & Badi, 2023).

Therefore, supplier selection needs to consider the advantages and disadvantages of each supplier, avoid possible errors later, simplify the process of supplier selection, and hope to choose the right supplier. Bahana, Ltd knows that suppliers are one of the most critical links in the smooth production process, so a supplier selection

decision support system is needed to avoid mistakes in supplier selection (Manik, 2023).

Decision-makers must think objectively when choosing suppliers. Sometimes, decision-making is only intuitive or subjective and based on experience alone; there is no clear selection procedure or method, or it is only based on general criteria (Ali, Nipu, & Khan, 2023). When a supplier is selected, problems often occur, namely quality, quantity, and delivery time that does not match what was promised when ordering, which disrupts the delivery of goods to customers. If the supplier is less responsible and responsive in fulfilling orders, it will cause problems, namely stockouts and long lead times. Production will stop because the goods or materials we order do not arrive as requested, and this will definitely cause many losses to the company. Therefore, companies need to assess suppliers carefully and precisely. Errors in selecting suppliers can affect production activities both in terms of quantity and quality, meaning that supplier selection is important to achieve a competitive advantage in the market (Hamdan, Cheaitou, Shikhli, & Alsyouf, 2023).

The current condition in determining suppliers Bahana, Ltd only uses its own perception and does not have specific criteria in selecting suppliers. Especially for pin components, which currently have four potential suppliers, Bahana, Ltd needs help determining which supplier is the best among these several suppliers. Therefore, criteria are needed in selecting suppliers (Hasiani, Haryanti, Rinawati, & Kurniawati, 2021).

In making the criteria that will be used in the assessment, it is necessary to be carried out by several experts and look at the literature study (Agraeni, & Gustian, 2022). This aims to obtain criteria that match the needs of Bahana, Ltd and obtain the best results.

The AHP method is used to provide choices regarding the selection of pin component suppliers to be chosen by Bahana, Ltd (Lukmandono, Basuki, Hidayat, &

Setyawan, 2019); (Wardhana & Prastawa, 2017). This method is very appropriate for problem-solving in making a decision. This method uses a hierarchy in the completion process by requiring objective data (Muhammad, Rahmanasari, Vicky, Maulidiyah, Sutopo, & Yuniaristanto, 2020). Selection criteria and alternatives to be chosen by Bahana, Ltd.

Therefore, it is necessary to conduct a study to determine the highest order of criteria and alternatives for calculating weights to determine which supplier is the best for producing checking fixtures, especially pin components at Bahana, Ltd.

2. Methodology

The research method used is the AHP. The steps for selecting a supplier are as follows:

1. Arranging a Hierarchical Structure

When the problem has been identified, a hierarchy arrangement is carried out along with the desired goals. (Muhammad, Rahmanasari, Vicky, Maulidiyah, Sutopo, & Yuniaristanto, 2020). Before creating a hierarchical structure, the criteria to be used by Bahana, Ltd were determined through in-depth interviews with experts, and a literature review can be seen in Table 1.

Table 1. Determination of Criteria and Sub-criteria

Criteria	Sub Criteria	Source
Price	The selling price of pins/kg	1. (Hasiani, Haryanti, Rinawati, & Kurniawati, 2021)
	Payment method	2. (Ngatawi, 2022)
	Timeframe provided	3. (Putra Pratama, 2023)
		4. (Kusaeri, Hermansyah, & Bashori, 2016)
		5. <i>Finance</i>

	Bahana, Ltd Unindo Teknik	Teknik
Quality	Product tidiness	1. (Hasiani, Haryanti, Rinawati, & Kurniawati, 2021) 2. (Ngatawi, 2022) 3. (Putra Pratama, 2023) 4. (Kusaeri, Hermansyah, & Bashori, 2016) 5. (Ngatawi, 2022) 6. Divisi Produksi Bahana, Ltd Unindo Teknik
	Packaging	
	Accuracy	
Location	Mileage of suppliers	1. (Ngatawi, 2022) 2. (Putra Pratama, 2023) 3. <i>Marketing</i> PT Bahan Unindo Teknik
	Shipping method	
	Delivery speed	
Communication	Kindness in negotiating	1. (Hasiani, Haryanti, Rinawati, & Kurniawati, 2021) 2. (Ngatawi, 2022) 3. (Putra Pratama, 2023) 4. (Ngatawi, 2022) 5. <i>Marketing</i> Bahana, Ltd Unindo
	Ease of contacting suppliers	
	Speed in responding to consumers	

2. Determine the priority of elements
 - a. To establish the precedence of the elements, the initial stage involves comparing pairs. Specifically, the process involves comparing components in pairs based on the specified criteria. (Kusaeri, Hermansyah, & Bashori, 2016)
 - b. The pairwise comparison matrix is filled using numbers to represent the relative importance of an element to other elements using the Saaty scale 1 to 9 (1=equally. 3 = moderate. 5 = strong. 7 = very strong. 9 = extreme) (Amrina & Imansuri, 2015).
 - c. Aggregation of the Opinions of all Experts
The aggregation of the opinions of all experts is carried out for each comparison matrix of each respondent so that a new pairwise comparison matrix is obtained, which is a combination of the answers of all experts using geometric mean with a formula (Hapsari, 2018):

$$\sqrt[n]{a_1 x a_2 x \dots x a_n} = a_w \dots \dots \dots (1)$$

(n = number of respondents. a_w = combined assessment. a_1 = assessment of the 1st respondent).

3. Determine the Synthesis of Priority Matrix

The results of the pairwise comparisons are presented in the form of a pairwise comparison matrix. Namely, a pairwise comparison matrix that contains the preference level using the AHP rating scale from several alternatives for each criterion (Pramukti & Andryana, 2022); (Wicaksono, Fathimahhayati, & Sukmono, 2020).

Prioritization is carried out to obtain priority element weights in the hierarchy. Local weights are obtained after obtaining a pairwise comparison matrix, which is normalized. Matrix normalization is done by comparing each pairwise comparison value with the number of columns in question.

After the normalization matrix is obtained, the local weight calculation is obtained from the sum of the pairwise comparisons for each criterion divided by the number of criteria. The local weight calculation is done using the following formula. (Wicaksono, Fathimahhayati, & Sukmono, 2020).

$$B_i = \frac{\sum_{j=1}^m x'_{i,j}}{m} \dots\dots\dots(2)$$

4. Consistency Test

The evaluation results are widely acknowledged if the consistency ratio is less than or equal to 0.1. The calculation of the consistency ratio is conducted using a four-stage process as outlined below (Khairun Nisa, Subiyanto, & Sukamta, 2019):

a. Calculation of the Weight Sum Factor (WSF)

In this process, the weight that has been obtained for each criterion is multiplied by the evaluation results that have been carried out. The equation used is as follows:

$$WSF_i = \sum_{j=1}^m (x_{i,j} \times B_j) \dots\dots\dots(3)$$

b. Calculation of the consistency factor (CF)

In this process, the weight of the criteria is multiplied by the results of the evaluation that has been carried out. The equation used is as follows:

$$CF_i = \frac{WSF_i}{B_i} \dots\dots\dots(4)$$

c. Calculation of the consistency index (CI)

In this process, the consistency index is obtained by using the following equation (Mustika, 2017):

$$CI = \frac{CF-m}{m-1} \dots\dots\dots(5)$$

d. Calculation of the consistency ratio (CR)

The consistency ratio is obtained by dividing the consistency index with the ratio index. The equation that can be used is as follows:

$$CR = \frac{CI}{RI} \dots\dots\dots(6)$$

3. Result and Discussion

1. Hierarchical Structure Selection of Sub-Contractors

In using the analytical hierarchy process (AHP) method, it is necessary to create a hierarchy that describes the problem to be solved (Wulandari, 2017). The following is the hierarchy of supplier selection for pin components at Bahana, Ltd., which can be seen in Figure 1.

Based on the hierarchical structure, there are four criteria for selecting suppliers: cost, location, quality, and communication. Each of these criteria has a sub-criteria. Furthermore, there are 3 alternative suppliers to be selected.

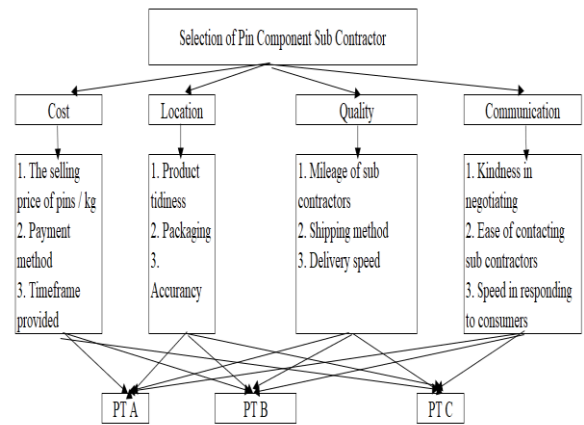


Figure 1. Hierarchical Structure of Supplier Selection

d. Paired Comparison Questionnaire Data Collection

Then, the stage of filling out questionnaires to three experts with positions as marketing at Bahana, Ltd (6 years experience). head of production at Bahana, Ltd (5 years experience) and finance at Bahana, Ltd (2 years experience). Paired comparison questionnaires were filled out by experts using the Saaty scale of 1 to 9 (1=equally. 3 = moderate. 5 = strong. 7 = very strong. 9 = extreme).

e. Calculating of Pairwise Comparisons Matrix and Local Weight

After collecting pairwise comparison questionnaire data, the geometric mean is calculated. The purpose of calculating the

Selection of Pin Component Suppliers for Checking Fixture Products Using an Analytical Hierarchy Process Approach

geometric mean is to combine all of the respondent's answers using the formula (1).

For example, local weight calculation for the criteria for supplier (Table 2 and Table 3) selection criteria and sub-criteria (Table 4) at Bahana, Ltd using formula (2):

Table 2. Pairwise comparison calculation matrix

Criteria	Price	Quality	Location	Communication
Price	1.00	1.10	2.62	1.44
Quality	0.91	1.00	2.62	2.62
Location	0.38	0.38	1.00	1.26
Communication	0.69	0.38	0.79	1.00
Total	2.98	2.86	7.04	6.32

Table 3. Calculation of Criteria Local Weight

Criteria	Cost	Quality	Location	Communication	Local Weight
Price	0.34	0.38	0.37	0.23	0.33
Quality	0.31	0.35	0.37	0.41	0.36
Location	0.13	0.13	0.14	0.20	0.15
Communication	0.23	0.13	0.11	0.16	0.16
Total					1.00

An example of calculating the local weight of the price criteria is as follows using the formula (2).

$$x'_{i,j} = \frac{x_{i,j}}{\sum_{j=1}^m x_{i,j}} = \frac{1.00}{2.98} = 0.34$$

$$B_i = \frac{\sum_{j=1}^m x'_{i,j}}{m} = \frac{0.34+0.38+0.37+0.23}{4} = 0.34$$

Table 4. Calculation of Local Weight of Sub-Criteria

Price	The selling price of pins/kg	Payment method	Timeframe provided	Local Weight
-------	------------------------------	----------------	--------------------	--------------

The selling price of pins/kg	0.62	0.68	0.48	0.59
Payment method	0.21	0.24	0.38	0.28
Timeframe provided	0.17	0.08	0.13	0.13
Total				1.00
Quality	Product tidiness	Packaging	Accuracy	Local Weight
Product tidiness	0.22	0.38	0.20	0.26
Packaging	0.07	0.11	0.14	0.11
Accuracy	0.72	0.51	0.66	0.63
Total				1.00
Location	Mileage of suppliers	Shipping method	Delivery speed	Local Weight
Mileage of suppliers	0.25	0.40	0.22	0.29
Shipping method	0.09	0.15	0.20	0.15
Delivery speed	0.66	0.44	0.58	0.56
Total				1.00
Communication	Kindness in negotiating	Ease of contacting suppliers	Speed in responding to consumers	Local Weight
Kindness in negotiating	0.52	0.54	0.46	0.51
Ease of contacting suppliers	0.33	0.34	0.40	0.36
Speed in responding to consumers	0.11	0.12	0.14	0.14
Total				1.00

This stage is calculating the weight of interest in each alternative. The geometric mean value has been calculated using the formula (1). The calculation results are as follows in Table 5:

Table 5. Selection of alternative suppliers

Alternative	Global Weight	Priority
PT A	0.556	1
PT B	0.302	2
PT C	0.142	3

f. Calculating of Consistency Ratio

Next is the measurement of consistency. This is meant to see the inconsistency of the responses given by the respondents. So, if it is inconsistent, then filling in the values in the paired matrix on the criteria and alternative elements must be repeated. The value of the consistency ratio (CR) received must be <0.1, as shown in Tables 6 and 7 below.

Table 6. Consistency Ratio for Criteria and Sub-criteria

Criteria	Consistency Ratio	Sub Criteria	Consistency Ratio
Price		The selling price of pins/kg	0.08
		Payment method	
Quality		Timeframe provided	0.10
		Product tidiness	
		Packaging	
Location	0.02	Accuracy	0.09
		Mileage of suppliers	
		Shipping method	
Communication		Delivery speed	0.01
		Kindness in negotiating	
		Ease of contacting suppliers	
		Speed in responding to consumers	

Table 7. Consistency Ratio for Selection of Suppliers

Criteria	Alternative Suppliers	Consistency Ratio
----------	-----------------------	-------------------

Price	PT A	0.07
	PT B	
	PT C	
Quality	PT A	0.09
	PT B	
	PT C	
Location	PT A	0.09
	PT B	
	PT C	
Communication	PT A	0.08
	PT B	
	PT C	

4. Conclusion

There are four criteria determined by Bahana, Ltd, namely the price aspect, quality aspect, communication aspect, and location aspect, in calculations using pairwise comparisons. Bahana, Ltd has the highest criterion value on the quality aspect of 0.36, followed by the price aspect of 0.33. This makes the quality and price aspects the most important in supplier selection.

Calculations on sub-criteria can support calculations from the criterion aspect. The price aspect has the highest sub-criteria at a selling price/kg 0.59. The quality aspect has the highest sub-criteria for pin accuracy of 0.63. The location aspect has the highest sub-criteria for delivery speed of 0.56. At the same time, the communication aspect has the highest sub-criteria on the ease of contacting suppliers at 0.61.

The alternative in selecting a supplier that is a priority is PT A. Therefore, when selecting a supplier, PT A is the right choice to purchase pin components.

References

Abdulla, A., Baryannis, G., & Badi, I. (2023). An integrated machine learning and MARCOS method for supplier evaluation and selection. *Decision Analytics Journal*, 9(July), 100342. <https://doi.org/10.1016/j.dajour.2023.100342>

Agraeni, R., Gustian, D., & Id, D. A. (2022). Analisis Pemilihan Supplier dengan

- Pendekatan Analytical Hierarchy Process di PT. ABC. *Jurnal Sains Komputer & Informatika (J-SAKTI)*, 6(1), 351–358.
- Ali, M. R., Nipu, S. M. A., & Khan, S. A. (2023). A decision support system for classifying supplier selection criteria using machine learning and random forest approach. *Decision Analytics Journal*, 7(March), 100238. <https://doi.org/10.1016/j.dajour.2023.100238>
- Amrina, E., & Imansuri, F. (2015). Key performance indicators for sustainable campus assessment: A case of Andalas university. *Lecture Notes in Electrical Engineering*, 349(March 2017), 11–18. https://doi.org/10.1007/978-3-662-47200-2_2
- Hamdan, S., Cheaitou, A., Shikhli, A., & Alsyouf, I. (2023). Comprehensive quantity discount model for dynamic green supplier selection and order allocation. *Computers and Operations Research*, 160(July 2022), 106372. <https://doi.org/10.1016/j.cor.2023.106372>
- Hapsari, Y. T. (2018). Pengukuran Kualitas Dan Brand Dengan Metode AHP (Analytical Hierarchy Process). *Industrial Engineering Journal of The University of Sarjanawiyata Tamansiswa*, 2(1), 1–6.
- Hasiani, F. M. U., Haryanti, T., Rinawati, R., & Kurniawati, L. (2021). Sistem Pendukung Keputusan Pemilihan Supplier Produk Ritel dengan Metode Analytical Hierarchy Process. *Sistemasi*, 10(1), 139. <https://doi.org/10.32520/stmsi.v10i1.1125>
- Khairun Nisa, A. A., Subiyanto, S., & Sukamta, S. (2019). Penggunaan Analytical Hierarchy Process (AHP) Untuk Pemilihan Supplier Bahan Baku. *Jurnal Sistem Informasi Bisnis*, 9(1), 86. <https://doi.org/10.21456/vol9iss1pp86-93>
- Kusaeri, A., Hermansyah, M., & Bashori, H. (2016). Analisis Pemilihan Supplier menggunakan Pendekatan Metode Analytical Hierarchy Process di Pt XX. *Journal Knowledge Industrial Engineering (JKIE)*, Vol. 3(3), 51–61.
- Lukmandono, L., Basuki, M., Hidayat, M. J., & Setyawan, V. (2019). Pemilihan Supplier Industri Manufaktur Dengan Pendekatan AHP dan TOPSIS. *Opsi*, 12(2), 83. <https://doi.org/10.31315/opsi.v12i2.3146>
- Manik, M. H. (2023). Addressing the supplier selection problem by using the analytical hierarchy process. *Heliyon*, 9(7), e17997. <https://doi.org/10.1016/j.heliyon.2023.e17997>
- Muhammad, J., Rahmasari, D., Vicky, J., Maulidiyah, W. A., Sutopo, W., & Yuniaristanto, Y. (2020). Pemilihan Supplier Biji Plastik dengan Metode Analytical Hierarchy Process (AHP) dan Technique for Order Preference by Similarity to Ideal Solution (TOPSIS). *Jurnal INTECH Teknik Industri Universitas Serang Raya*, 6(2), 99–106. <https://doi.org/10.30656/intech.v6i2.2418>
- Mustika, M. (2017). Penggunaan Metode Analytical Hierarchy Process Dalam Pemilihan Lokasi Mangrove Park. *Klik - Kumpulan Jurnal Ilmu Komputer*, 4(1), 38. <https://doi.org/10.20527/klik.v4i1.67>
- Ngatawi, I. S. (2022). Analisis Pemilihan Supplier Menggunakan Analytical Hierarchy Process (Ahp). *ALE Proceeding*, 5(1), 85–91. <https://doi.org/10.30598/ale.5.2022.85-91>
- Pramukti, Y. A., & Andryana, S. (2022). Analisis Perbandingan Metode AHP dan Metode MFEP Pada Sistem Pendukung Keputusan Pemilihan Vendor. *Jurnal Media Informatika Budidarma*, 6(4), 2014. <https://doi.org/10.30865/mib.v6i4.4634>
- Putra Pratama, A. (2023). Pemilihan Supplier Bahan Baku Menggunakan Metode Analytical Hierarchy Process. *SAINTEK*

(*Sains Dan Teknologi*), 2(1), 375–382.

- Wardhana, D. A. K., & Prastawa, H. (2017). Analisis Pemilihan Supplier dengan Menggunakan Metode Analytical Hierarchy Process (Studi Kasus: UMKM Diana Bakery). *E-Journal Undip*, 18(1), 39–46.
- Wicaksono, M., Fathimahhayati, L. D., & Sukmono, Y. (2020). Pengambilan Keputusan Dalam Pemilihan Supplier Dengan Metode Analytical Hierarchy Process (AHP) dan Technique For Others Reference by Similarity to Ideal Solution (TOPSIS). *Jurnal Tekno*, 17(2), 1–17.
<https://doi.org/10.33557/jtekno.v17i2.1078>
- Wulandari, R. (2017). Pemilihan Supplier Bahan Baku Partikel Dengan Metode AHP Dan Promethee. *Jurnal Teknik Industri*, 16(1), 22.
<https://doi.org/10.22219/jtiumm.vol16.no1.22-30>

Pengendalian Kualitas Kemasan Produk PCC Menggunakan Algoritma Apriori, New Seven Tools dan Usulan Poka Yoke

Muhamad Naufal¹⁾, Zeny Fatimah Hunusalela²⁾, Sahat Sinambela³⁾

*Teknik Industri, Fakultas Teknik dan Ilmu Komputer, Universitas Indraprasta PGRI¹⁾²⁾³⁾
TB. Simatupang, Jl. Nangka Raya No.58 C, RW.5, Tj. Bar., Kec. Jagakarsa, Kota Jakarta Selatan, Daerah
Khusus Ibukota Jakarta 12530¹⁾²⁾³⁾
E-Mail : muhamadnaufal0511@gmail.com¹⁾, zeny.fh86@gmail.com²⁾, sahat_sinambela@unindra.co.id³⁾*

ABSTRAK

Masalah yang terdapat pada PT Indocement Tunggal Prakarsa Tbk yaitu terdapat kecacatan setiap bulannya pada kemasan PCC yaitu disebabkan robeknya kantung semen akibat *belt conveyor*, robeknya kantung saat pemuatan semen ke truk, robeknya kantung semen karena lem kurang merekat, kemasan rusak akibat kelebihan muatan dan juga rusaknya kantung semen akibat operator. Maka dari itu upaya mengendalikan kualitas pada kemasan semen akan menggunakan metode Algoritma Apriori, *New Seven Tools*, *Poka Yoke* serta software *RapidMiner* dan *SolidWorks*. Berdasarkan hasil penelitian, diketahui nilai *confidence* produk cacat dominan yaitu kemasan rusak akibat *material handling* dan kemasan rusak akibat operator kurang teliti sebesar 100% dan nilai *support* sebesar 16%. Setelah diketahui faktor penyebab kecacatan pada kantung semen, kemudian dilakukan perancangan untuk mencegah terjadinya kecacatan pada produk kantung yaitu berupa alat bantu pada pembatas *belt conveyor* yang tajam agar kantung semen terhindar dari robek, dengan membuat alat pencegahan berupa material karet licin yang menyerupai tabung di sisi kanan dan kiri di atas *belt conveyor* dengan desain mengerucut hingga 350 cm. Alat ini berfungsi mencegah terjadinya sentuhan secara langsung pembatas *belt conveyor* yang bisa membuat kantung semen robek. Dengan adanya rancangan usulan perbaikan ini, diharapkan perusahaan dapat mengurangi tingkat kecacatan kemasan produk.

Kata kunci: Pengendalian Kualitas, Algoritma Apriori, *New Seven Tools*, *Poka yoke*.

ABSTRACT

The problem with PT Indocement Tunggal Prakarsa Tbk is that there is a defect every month in the PCC packaging, which is caused by tearing of the cement bag due to the conveyor belt, tearing of the bag when loading cement to the trucks, tearing of the cement bag because the glue is not sufficiently adhesive, packaging is damaged due to overload and also damage to the cement bag due to the operator. Therefore, efforts to control the quality of cement packaging will use the Apriori Algorithm method, New Seven Tools, Poka Yoke and RapidMiner and SolidWorks software. Based on the results of the study, it is known that the confidence value of the dominant defective product is packaging damaged due to material handling and packaging damaged due to inaccurate operators by 100% and a support value of 16%. After knowing the factors that cause defects in cement bags, then a design is carried out to prevent defects in bag products, namely in the form of tools on sharp conveyor belt barriers so that cement bags are prevented from tearing, by making prevention tools in the form of slippery rubber material that resembles a tube on the right side and left above the conveyor belt with a conical design up to 350 cm. This tool functions to prevent direct touching of the conveyor belt barrier which can tear the cement bag. With this research, it is hoped that the company can implement the design proposals that have been made, in order to reduce the risk of defects.

Keywords: *Quality Control, Apriori Algorithm, New Seven Tools, Poka Yoke.*

1. Pendahuluan

Kualitas atau mutu memiliki berbagai macam definisi atau makna, antara lain, mutu

adalah keistimewaan produk yang dapat menjawab kebutuhan konsumen, mutu adalah sesuatu yang bebas dari cacat atau *zero*

defect, dan mutu adalah kesesuaian dengan tujuan pengguna. Kualitas dapat dipengaruhi oleh beberapa faktor, seperti proses produksi yang merupakan prosedur dalam memproduksi suatu produk, kualitas input seperti bahan baku dan tenaga kerja, perawatan perlengkapan yang benar dan tersedianya suku cadang, dan standar kualitas yang menjadi acuan bagi perusahaan dalam menghasilkan suatu produk. (Wahyuni & Sulistiyowati, 2020)

Kualitas merupakan salah satu indikator penting bagi perusahaan untuk dapat eksis di tengah ketatnya persaingan dalam industri. Kualitas didefinisikan sebagai totalitas dari karakteristik suatu produk yang menunjang kemampuannya untuk memuaskan kebutuhan yang dispesifikasikan atau ditetapkan (Febryansyah, Raja, & Kurnia, 2022). Kualitas juga didefinisikan sebagai suatu nilai untuk memenuhi kebutuhan (perspektif ekonomi), nilai yang ditentukan pelanggan dalam proses pengambilan keputusan (perspektif pemasaran) dan merupakan kesesuaian antara kebutuhan dengan spesifikasi (perspektif manajemen operasional) (Ambar & Bernik, 2018)

Pengendalian kualitas adalah alat bagi manajemen operasional dalam memperbaiki ataupun meningkatkan kualitas produk barang atau jasa yang dihasilkan, dan mengurangi kuantitas barang yang gagal atau rusak dari proses produksi. Dan hal tersebut tentunya akan merugikan perusahaan. Pengawasan terhadap kualitas dalam menentukan ukuran, cara ataupun persyaratan fungsional dari suatu produk dan spesifikasinya harus dilakukan pemeriksaan apakah prosedur dalam proses produksi telah sesuai standar mutu yang telah ditetapkan dalam Standar Operasional Prosedur (SOP) (Wisubroto & Rukmana, 2015)

PT Indocement Tungal Prakarsa Tbk merupakan produsen semen yang ada di Indonesia. PT Indocement Tungal Prakarsa Tbk merupakan produsen terbesar kedua di Indonesia, dan tiga roda merupakan salah satu produk semen khusus yang sudah dipasarkan. Produk semen yang dibuat oleh

perusahaan ini yaitu Semen Portland Komposit (PCC), Semen Portland Tipe I, Semen Portland Tipe V, Semen Sumur Minyak (OWC), Semen Putih, Acian Putih TR-30, Duracem, TR-10 Mortar, TR-15 Thinbed, TR-20 Plester Plus. Selain memproduksi semen, perusahaan juga memproduksi beton siap pakai, serta mengelola tambang agregat dan tras.

Permasalahan yang terjadi pada perusahaan adalah banyaknya jumlah kecacatan pada kemasan produk semen Portland Komposit (PCC) pada tiap periodenya. Berdasarkan dari hasil pengamatan, kecacatan tersebut sering terjadi saat pengisian semen ke dalam kemasan pada *belt conveyor*, lem yang kurang merekat, serta tegangan angin mesin yang tidak konsisten.

Tahap awal pada penelitian ini menggunakan algoritma apriori. Algoritma apriori digunakan untuk mengetahui penyebab cacat yang paling dominan. Sehingga dari hasil algoritma tersebut perusahaan dapat mengambil keputusan untuk menyelesaikan masalah berdasarkan dari hasil perhitungan. Algoritma apriori adalah jenis aturan asosiasi pada data *mining* ditujukan untuk mencari kombinasi *item set* yang mempunyai suatu nilai keseringan tertentu sesuai kriteria atau filter yang diinginkan (Saefudin & Fernando, 2020). Berdasarkan dari penelitian (Pahlevi & Sugandi, 2018) algoritma apriori digunakan untuk mengetahui cacat terbanyak pada proses produksi.

Hasil dari algoritma apriori akan dilanjutkan dengan menganalisa penyebab terjadinya kerusakan pada kemasan semen menggunakan *new seven tools*. *New seven tools* merupakan metode analisis alat pengendalian persediaan yang melakukan pendekatan dengan cara pendekatan desain, yaitu pendekatan bersifat komprehensif dalam memecahkan masalah yang menaruh perhatian besar pada setiap aspek detail dan melibatkan setiap orang yang memiliki latar belakang berbeda (Permono, Salmia, & Septiari, 2022). Tujuh alat yang digunakan

dalam metode ini yaitu Diagram Afinitas, *Relation Diagram* (Diagram Hubungan), Diagram Pohon, Diagram Matriks Analisis Data, *Process Decision Program Chart* (PDPC), *Prioritization Grid*, *Activity Network Diagram* (Suci, Yuki, & Rizki, 2017).

Pada penelitian ini dirancang usulan perbaikan berdasarkan hasil dari Analisa dengan menggunakan *new seven tools*. Rancangan perbaikan berdasarkan hasil Analisa yaitu membuat *Poka Yoke*. *Poka Yoke* berasal dari bahasa Jepang *yokeru* yang berarti “menghindari” dan *poka* yang berarti “kesalahan (diakibatkan kelalaian dan/atau ketidaksengajaan)” (Faizal, Nababan, & Jatnika, 2020). Jadi secara sederhana *Poka Yoke* adalah menghindari kesalahan dalam produksi atau kerja. Secara umum, *Poka Yoke* didefinisikan sebagai suatu konsep manajemen mutu guna menghindari kesalahan akibat kelalaian dengan cara memberikan batasan-batasan dalam pengoperasian suatu alat atau produk dan pada umumnya berkaitan dengan isu produk cacat atau *defects* (Talenta & Zaqi Al-Faritsy, 2022). *Poka yoke* yang dirancang adalah untuk mengurangi jumlah cacat dari kemasan semen.

Berdasarkan dari penjelasan diatas, maka pada penelitian ini dalam upaya pengendalian kualitas pada kemasan semen PCC dengan menggunakan metode algoritma apriori, *new seven tools*, dan *poka yoke*. Sehingga diharapkan usulan perbaikan ini bisa mencapai *zero defect* pada produk kemasan semen PCC.

2. Metodologi

Objek penelitian ini adalah proses pengendalian kualitas pada kemasan. Data yang diamati berupa cacat kemasan semen *Portland Composite Cement* (PCC). Variabel yang diamati adalah jenis cacat pada proses pengemasan ke kantung semen pada Plant 7 PT Indocement Tunggal Prakarsa Tbk. Waktu penelitian dari September 2022 – Mei 2023.

Pengumpulan data dilakukan dengan 3 cara, yaitu observasi, wawancara dan dokumentasi. Observasi yang dilakukan

secara langsung di PT Indocement Tunggal Prakarsa Tbk pada bagian pengemasan di Plant 7 produk pembuatan PCC, data observasi yang dikumpulkan ialah data jumlah dan jenis produk cacat, proses produksi, dan kondisi lantai produksi. Wawancara dilakukan secara langsung pada bagian pengendalian kualitas mengenai *Broken Bag Issue* untuk mengetahui penyebab terjadinya kecacatan kantuk semen pada produk semen PCC PT Indocement Tunggal Prakarsa Tbk. Dokumentasi dilakukan guna mendapatkan data dalam bentuk foto maupun dokumen dari jumlah kecacatan yang terjadi selama 12 bulan. Tahapan pada penelitian ini adalah sebagai berikut :

2.1. Perhitungan Algoritma Apriori

Data yang digunakan pada algoritma apriori adalah data cacat yang diperoleh dari hasil inspeksi harian. Pada tahapan ini menggunakan *software rapidminer*. Data awal merupakan data kecacatan yang didapat dari laporan *broken bag issue data inquiry* selama 6 bulan. Data akhir didapat dari data awal yang diolah sehingga data akhir langsung dapat digunakan untuk mendapatkan aturan asosiasi. Data akhir terdiri dari atribut dan nilai atribut yang telah diubah dalam bentuk tabular. Atribut merupakan data item cacat yang ada pada laporan hasil inspeksi. Pada tahap ini akan diperoleh jenis cacat yang sering terjadi. Data akhir didapat dari data awal yang diolah sehingga data akhir langsung dapat digunakan untuk mendapatkan aturan asosiasi. Data akhir terdiri dari atribut dan nilai atribut yang telah diubah dalam bentuk tabular (Pahlevi & Sugandi, 2018). Atribut pada penelitian ini diperoleh dari data produk cacat yang ada pada laporan hasil inspeksi. Nilai *support* kandidat pertama didapatkan dengan perhitungan sebagai berikut:

$$Support (A) = \frac{Jumlah\ transaksi\ mengandung\ A}{Transaksi\ Total}$$

Nilai *support* kandidat kedua diperoleh dengan rumus berikut berikut:

$$\text{support } (A, B) = \frac{\sum \text{Transaksi mengandung } A \text{ dan } B}{\sum \text{Transaksi}}$$

2.2. New Seven Tools

New seven tools merupakan alat bantu statistik menengah untuk mengolah data verbal atau kualitatif yang penerapannya dititik beratkan pada proses perencanaan untuk pendekatan pemecahan masalah dengan data kualitatif, pengalaman dan logika, serta menampung kebutuhan metode pemecahan masalah dalam rangka menunjang TQC (*Total Quality Control*) (Rahayuningtyas, 2017). *New Seven Tools* disebut juga dapat digunakan untuk Analisa suatu masalah. Pada penelitian ini, new seven tools ini digunakan untuk mengetahui penyebab terjadinya kecacatan pada kemasan semen. Tools yang digunakan pada tahap ini adalah *Affinity diagram*, *Tree Diagram*, *Matrix Diagram*, *Matrix Diagram Analysis*, *PDCP (Process Decision Program Chart)*, berikut merupakan penjelasan terkait langkah-langkahnya:

2.2.1. Affinity Diagram

Affinity diagram digunakan untuk mengumpulkan dan mengorganisir sejumlah fakta, opini, dan ide. Selain itu juga memacu kreativitas yang mendorong pengungkapan batas fakta dan opini serta kondisi yang ada melalui pengelompokan elemen-elemen informasi tersebut sesuai dengan kesamaan dan pertaliannya. (Aziza & Setiaji, 2020)

2.2.2. Tree Diagram

Tree diagram digunakan untuk memetakan semua aktivitas sesuai dengan faktor penyebab masalah. *Tree diagram* juga berfungsi untuk memberikan solusi dari masalah yang ada untuk dilakukan perbaikan agar kualitas yang diinginkan tercapai. (Permono, Salmia, & Septiari, 2022).

2.2.3. Matrix Diagram

Diagram Matriks menunjukkan hubungan antara dua, tiga, atau empat kelompok informasi yang saling terkait. Terdiri dari kolom dan baris untuk

mengetahui sifat dan kekuatan dari masalah. Hal ini dapat membantu untuk sampai pada ide utama dan menganalisis hubungan atau tidak adanya penyimpangan dan menemukan solusi yang efektif untuk menggunakan metode pemecahan masalah. (Prabowo & Wijaya, 2020)

2.2.4. Matrix Diagram Analysis

Matrix Diagram Analysis adalah metode yang menganalisis data numerik yang berbentuk matriks untuk menghasilkan komponen-komponen utama yang bisa mewakili seluruh data dalam memberikan informasi (Wisnubroto & Rukmana, 2015).

2.2.5. PDCP (Process Decision Program Chart)

PDPC dalam penelitian ini diintegrasikan dengan tahap six sigma yaitu *improve*. PDPC membantu perusahaan untuk menghindari faktor-faktor yang tidak terduga serta mengidentifikasi apakah solusi-solusi yang telah dirumuskan pada *tree diagram* memungkinkan untuk diaplikasikan di perusahaan. PDPC didapat dengan melakukan wawancara dan *brainstorming* dengan *manajer quality control* (Ambar & Bernik, 2018).

2.3. Usulan Perbaikan

Usulan perbaikan pada penelitian ini dengan menggunakan *poka yoke*. *Poka yoke* yang digunakan pada penelitian ini dengan menggunakan metode *Motion-Sequence*, yaitu menggunakan sensor untuk menjabarkan jika terdapat gerakan dan posisi produk terjadi kesalahan. Perancangan usulan ini dibantu dengan *software Solidworks* guna untuk membuat usulan perancangan sensor dalam bentuk 3D.

3. Hasil dan Pembahasan

3.1 Data Jumlah Cacat Produk

Data jumlah cacat pada kemasan Semen Portland Komposit (PCC) diambil dalam 12 bulan, yaitu dari bulan Januari – Desember 2022 pada tabel berikut :

Tabel 1. Data Jumlah Cacat Kemasan Semen Portland Komposit (PCC)

No	Bulan	Jumlah Produksi (Bulan)	Kemasan rusak saat pemuatan ke transportasi	Kemasan rusak akibat kualitas kemasan	Kemasan rusak akibat material handling	Kemasan rusak akibat kelebihan muatan	Kemasan rusak akibat operator	Jumlah Kemasan Rusak	Jumlah Cacat (%)
1	Januari	24000	189	87	210	125	28	639	3%
2	Februari	24000	189	178	260	16	21	664	3%
3	Maret	24000	60	49	209	69	90	477	2%
4	April	24000	343	217	421	66	19	1066	4%
5	Mei	24000	87	151	171	54	99	562	2%
6	Juni	24000	473	417	240	18	13	1161	5%
7	Juli	24000	132	152	98	108	11	501	2%
8	Agustus	24000	211	192	239	42	25	709	3%
9	September	24000	342	321	429	15	0	1107	5%
10	Oktober	24000	200	210	208	98	31	747	3%
11	November	24000	105	121	362	231	30	849	4%
12	Desember	24000	105	180	223	20	38	566	2%
Total		264000	2331	2095	2847	842	367	8482	35%

Tabel 1 menunjukkan sebanyak 8.461 produk cacat atau setara dengan 35% produk cacat dari 264.000 jumlah produksi. Dapat disimpulkan, karena belum tercapainya *zero defects* maka perlunya dilakukan pengendalian terhadap kualitas pada PT Indocement Tungal Prakarsa Tbk. Data tersebut juga menunjukkan jumlah cacat yang tertinggi sebanyak 2331, yang disebabkan oleh kemasan rusak saat pemuatan ke transportasi

3.2 Algoritma Apriori

3.2.1 Tabel Tabular

Pada tahap ini, langkah pertama setelah diketahui data kecacatan selama 12 bulan pada tabel 1 selanjutnya data diubah ke dalam bentuk bilangan *boolean*. *Boolean* merupakan jenis data yang biasanya digunakan untuk mewakili nilai yang benar dan salah dalam data, nilai yang salah (*false*) dan benar (*true*) direpresentasikan dengan angka 0 (*false*) dan 1 (*true*), lalu pada data yang saya buat 1 (*true*) yang akan didapat berdasarkan dari data 3 kecacatan terbesar dalam bulan tersebut. Kemudian data

dimasukan dalam bentuk tabel tabular dan dapat dilihat sebagai berikut:

Tabel 2. Tabel tabular

Bulan	Kemasan rusak saat pemuatan ke transportasi	Kemasan rusak akibat kualitas kemasan	Kemasan rusak akibat material handling	Kemasan rusak akibat kelebihan muatan	Kemasan rusak akibat operator
Januari	1	0	1	1	0
Februari	1	1	1	0	0
Maret	0	0	1	1	1
April	1	1	1	0	0
Mei	0	1	1	0	1
Juni	1	1	1	0	0
Juli	1	1	0	1	0
Agustus	1	1	1	0	0
September	1	1	1	0	0
Oktober	1	1	1	0	0
November	0	1	1	1	0
Desember	1	1	1	0	0
Jumlah	9	10	11	4	2

Nilai *support* kandidat pertama yang dimana nilai *support* yang dihasilkan bertujuan untuk menjadi nilai *minimum support* perhitungan algoritma apriori dan nilai *support* kandidat kedua dihasilkan untuk mengetahui nilai *confidance*, yang dimana dapat diketahui dengan perhitungan sebagai berikut:

Nilai Support kandidat pertama / kemasan rusak saat memuat transportasi

$$Support(A) = \frac{Jumlah\ Transaksi\ Mengandung\ A}{Total\ Transaksi} \dots\dots\dots (1)$$

$$Support(A) = \frac{9}{12} = 0,75$$

Nilai support kandidat Kedua:

$$Support(A, B) = \frac{Jumlah\ Transaksi\ Mengandung\ A\ dan\ B}{Total\ Transaksi} \dots\dots\dots (2)$$

$$Support(A\&B) = \frac{19}{12} = 1,58$$

Selanjutnya setelah Tabel tabular sudah terbentuk, dan minimum support dan confidence sudah diketahui. Hasil Association Rule yang diperoleh dengan menggunakan software rapidMiner adalah sebagai berikut :

No.	Premises	Conclusion	Support	Confidence	LaPlace	Gain	p-s
1	Kemasan rusak akibat material handling	Kemasan rusak akibat kualitas kemasan, Kemas...	0.583	0.636	0.826	-1.250	-0.02
2	Kemasan rusak akibat kualitas kemasan	Kemasan rusak akibat material handling, Kemas...	0.583	0.700	0.864	-1.083	0.02
3	Kemasan rusak akibat material handling	Kemasan rusak saat pemuatan ke transportasi	0.667	0.727	0.870	-1.167	-0.02
4	Kemasan rusak akibat kelebihan muatan	Kemasan rusak akibat material handling	0.250	0.750	0.938	-0.417	-0.02
5	Kemasan rusak akibat material handling, Kemas...	Kemasan rusak saat pemuatan ke transportasi	0.583	0.778	0.905	-0.917	0.02
6	Kemasan rusak saat pemuatan ke transportasi	Kemasan rusak akibat material handling, Kemas...	0.583	0.778	0.905	-0.917	0.02
7	Kemasan rusak akibat kualitas kemasan	Kemasan rusak saat pemuatan ke transportasi	0.667	0.800	0.909	-1	0.04
8	Kemasan rusak akibat material handling	Kemasan rusak akibat kualitas kemasan	0.750	0.818	0.913	-1.083	-0.02
9	Kemasan rusak akibat material handling, Kemas...	Kemasan rusak akibat kualitas kemasan	0.583	0.875	0.950	-0.750	0.02
10	Kemasan rusak akibat kualitas kemasan, Kemas...	Kemasan rusak akibat material handling	0.583	0.875	0.950	-0.750	-0.02
11	Kemasan rusak saat pemuatan ke transportasi	Kemasan rusak akibat material handling	0.667	0.889	0.952	-0.833	-0.02
12	Kemasan rusak saat pemuatan ke transportasi	Kemasan rusak akibat kualitas kemasan	0.667	0.889	0.952	-0.833	0.04
13	Kemasan rusak akibat kualitas kemasan	Kemasan rusak akibat material handling	0.750	0.900	0.955	-0.917	-0.02
14	Kemasan rusak akibat operator kurang teliti	Kemasan rusak akibat material handling	0.167	1	1	-0.167	0.01

Gambar 1. Association Rule

Pada hasil analisis algoritma apriori menggunakan tools RapidMiner studio dengan aturan asosiasi yang digunakan yaitu nilai support dan nilai confidence. Hasil association rule pada gambar 1, diperoleh 14 rules dan 5 item set. Item set diperoleh dari penyebab kecacatan. Rules dan item set dari algoritma apriori adalah sebagai berikut :

1. Kemasan rusak akibat kualitas kemasan, Kemasan rusak saat pemuatan ke transportasi → Kemasan rusak akibat material handling (Supp = 0.63 & Conf = 0.58). Hal tersebut berarti cacat akan muncul bersamaan dengan tingkat confidence sebesar 58% dan minimum support sebesar 63%.
2. Kemasan rusak akibat material handling, Kemasan rusak saat pemuatan ke transportasi → Kemasan rusak akibat kualitas kemasan (Supp = 0.70 & Conf =

0.58). Hal tersebut berarti cacat akan muncul bersamaan dengan tingkat confidence sebesar 58% dan minimum support sebesar 70%.

3. Kemasan rusak saat pemuatan ke transportasi → Kemasan rusak akibat material handling (Supp = 0.66 & Conf = 0.73 Hal tersebut berarti cacat akan muncul bersamaan dengan tingkat confidence sebesar 73% dan minimum support sebesar 66%.
4. Kemasan rusak akibat material handling → Kemasan rusak akibat kelebihan muatan (Supp = 0.25 & Conf = 0.75 Hal tersebut berarti cacat akan muncul bersamaan dengan tingkat confidence sebesar 75% dan minimum support sebesar 25%.
5. Kemasan rusak saat pemuatan ke transportasi → Kemasan rusak akibat material handling,

- Kemasan rusak akibat kualitas kemasan ($Supp = 0.58$ & $Conf = 0.78$ Hal tersebut berarti cacat akan muncul bersamaan dengan tingkat *confidence* sebesar 78% dan *minimum support* sebesar 58%.
6. Kemasan rusak akibat *material handling*, Kemasan rusak akibat kualitas kemasan → Kemasan rusak saat pemuatan ke transportasi ($Supp = 0.58$ & $Conf = 0.78$ Hal tersebut berarti cacat akan muncul bersamaan dengan tingkat *confidence* sebesar 78% dan *minimum support* sebesar 58%.
 7. Kemasan rusak saat pemuatan ke transportasi → Kemasan rusak akibat kualitas kemasan ($Supp = 0.66$ & $Conf = 0.78$ Hal tersebut berarti cacat akan muncul bersamaan dengan tingkat *confidence* sebesar 78% dan *minimum support* sebesar 66%.
 8. Kemasan rusak akibat kualitas kemasan → Kemasan rusak akibat *material handling* ($Supp = 0.75$ & $Conf = 0.82$ Hal tersebut berarti cacat akan muncul bersamaan dengan tingkat *confidence* sebesar 82% dan *minimum support* sebesar 75%.
 9. Kemasan rusak akibat kualitas kemasan → Kemasan rusak akibat *material handling*, Kemasan rusak saat pemuatan ke transportasi ($Supp = 0.58$ & $Conf = 0.87$ Hal tersebut berarti cacat akan muncul bersamaan dengan tingkat *confidence* sebesar 87% dan *minimum support* sebesar 58%.
 10. Kemasan rusak akibat *material handling* → Kemasan rusak akibat kualitas kemasan, Kemasan rusak saat pemuatan ke transportasi ($Supp = 0.58$ & $Conf = 0.87$ Hal tersebut berarti cacat akan muncul bersamaan dengan tingkat *confidence* sebesar 87% dan *minimum support* sebesar 58%.
 11. Kemasan rusak akibat *material handling* → Kemasan rusak saat pemuatan ke transportasi ($Supp = 0.66$ & $Conf = 0.88$ Hal tersebut berarti cacat akan muncul bersamaan dengan tingkat *confidence* sebesar 88% dan *minimum support* sebesar 66%.
 12. Kemasan rusak akibat kualitas kemasan → Kemasan rusak saat pemuatan ke transportasi ($Supp = 0.66$ & $Conf = 0.88$ Hal tersebut berarti cacat akan muncul bersamaan dengan

tingkat *confidence* sebesar 88% dan *minimum support* sebesar 66%.

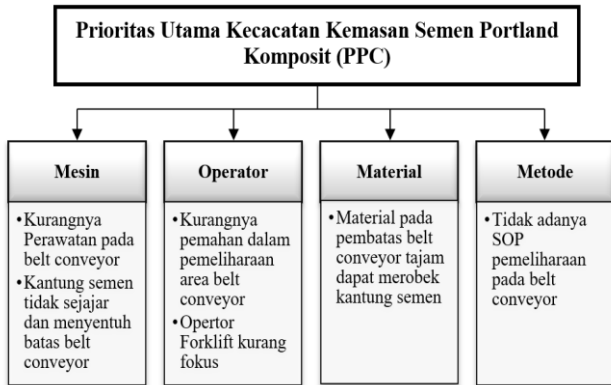
13. Kemasan rusak akibat *material handling* → Kemasan rusak akibat kualitas kemasan ($Supp = 0.75$ & $Conf = 0.9$ Hal tersebut berarti cacat akan muncul bersamaan dengan tingkat *confidence* sebesar 90% dan *minimum support* sebesar 75%.
14. Kemasan rusak akibat *material handling* → Kemasan rusak akibat operator kurang teliti ($Supp = 0.16$ & $Conf = 1.0$ Hal tersebut berarti cacat akan muncul bersamaan dengan tingkat *confidence* sebesar 100% dan *minimum support* sebesar 16%.

Dari pembahasan di atas terdapat rules dengan nilai *confidence* paling tinggi Kemasan rusak akibat *material handling* dan Kemasan rusak akibat operator kurang teliti dengan nilai *confidence* sebesar 100% dan nilai *support* sebesar 16%. Karena keterkaitan Kemasan rusak akibat *material handling* dan Kemasan rusak akibat operator kurang teliti cukup tinggi maka pihak PT. Indocement Tunggul Prakarsa Tbk harus lebih diperketat lagi dan harus cepat menangani masalah cacat tersebut.

3.3 Analisis New Seven Tools

3.3.1 Affinity Diagram

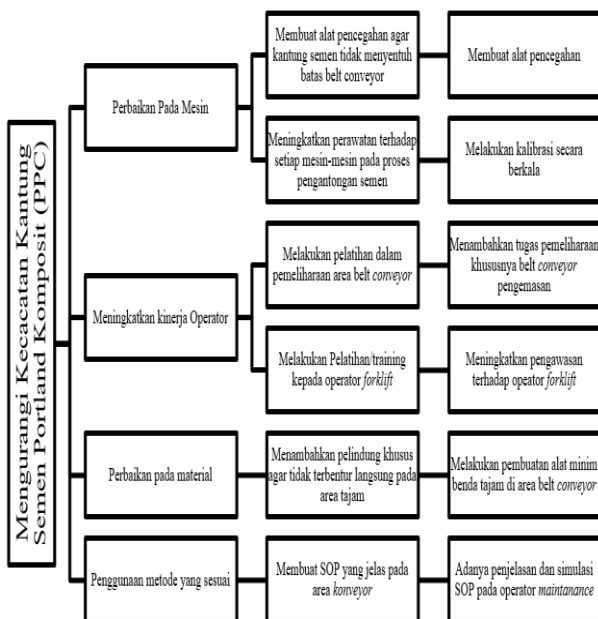
Setelah dilakukan analisis menggunakan algoritma apriori dan diperoleh data kecacatan yang saling berhubungan yaitu kecacatan yang diakibatkan *material handling* dan juga kecacatan yang diakibatkan operator kurang teliti selanjutnya dilakukan analisis *New Seven Tools*. Dari kedua kecacatan tersebut dibagi faktor-faktor yang menyebabkan kecacatan yang terjadi pada kantung semen, diambil berdasarkan hasil wawancara dengan penanggung jawab bagian produksi dan pengamatan langsung pada proses produksi didapatkan beberapa faktor yang dapat menyebabkan terjadinya kecacatan produk, digambarkan dalam *Affinity Diagram* berikut.



Gambar 2. Affinity Diagram

3.3.2 Tree Diagram

Tree diagram digunakan untuk memetakan semua aktivitas atau arahan yang harus dilakukan untuk mengurangi terjadinya produk cacat pada kemasan semen. Tree diagram pada penelitian ini terdiri dari 4 langkah utama yang harus dilakukan untuk mengurangi produk cacat pada kemasan semen PCC, yaitu perbaikan pada mesin, meningkatkan kinerja operator, perbaikan pada material, penggunaan metode yang sesuai. Dari masing-masing langkah utama tersebut akan dirinci tahapan perbaikannya. Tree diagram pada penelitian ini dapat dilihat pada gambar 3 :



Gambar 3. Tree Diagram

3.3.3 Matrix Diagram

Matrix diagram digunakan untuk mengidentifikasi hubungan antar aktivitas perbaikan dengan aktivitas spesifik dan faktor-faktor yang berpengaruh pada variasi cacat. Matrix diagram dapat dilihat pada tabel 3 sebagai berikut:

Tabel 3. Matrix Diagram

Kesalahan akibat mesin	■	●	▲	●
Kesalahan Operator	●	■	●	▲
Kesalahan akibat material	▲	●	■	●
Kurangnya Metode	●	▲	●	■
Faktor	Perbaikan pada mesin	Meningkatkan Kinerja Operator	Perbaikan pada material	Mengoptimalkan Metode
Aktifitas	Membuat alat pencegahan agar kantong semen tidak menyentuh batas belt conveyor	Meningkatkan perawatan terhadap setiap mesin-mesin pada proses pengantongan semen	Melakukan pelatihan dalam pemeliharaan area belt conveyor	Melakukan Pelatihan/training kepada operator forklift
	Menambahkan pelindung khusus agar tidak terbenjur langsung pada area tajam	Membuat SOP yang jelas pada area konveyor		

Keterangan:

- = Sangat Berkaitan
- ▲ = Berkaitan
- = Tidak Berkaitan

3.3.4 Matrix Diagram Analysis

Analisis yang digunakan untuk menyusun data yang disajikan dalam diagram matriks, untuk menemukan lebih banyak indikator namun dapat memberikan penjelasan jumlah besar kompleks informasi yang saling terkait. Matrix diagram analysis dapat dilihat pada tabel 4 berikut :

Tabel 4. Matrix Diagram Analysis

Primary	Secondary	Nilai Penerapan	
		Kepentingan	PT. Indocement Tunggal Prakarsa. Tbk
Perbaikan mesin	Membuat alat pencegahan	3	1
	Melakukan kalibrasi secara berkala	3	3
Meningkatkan Kinerja Operator	Menambahkan tugas pemeliharaan khususnya belt conveyor pengemasan	3	2
	Meningkatkan pengawasan terhadap opeator forklift	2	2
Perbaikan material	Melakukan pembuatan alat minim benda tajam di area belt conveyor	3	1
Mengoptimalkan Metode	Adanya penjelasan dan simulasi SOP pada operator	3	2

Keterangan :

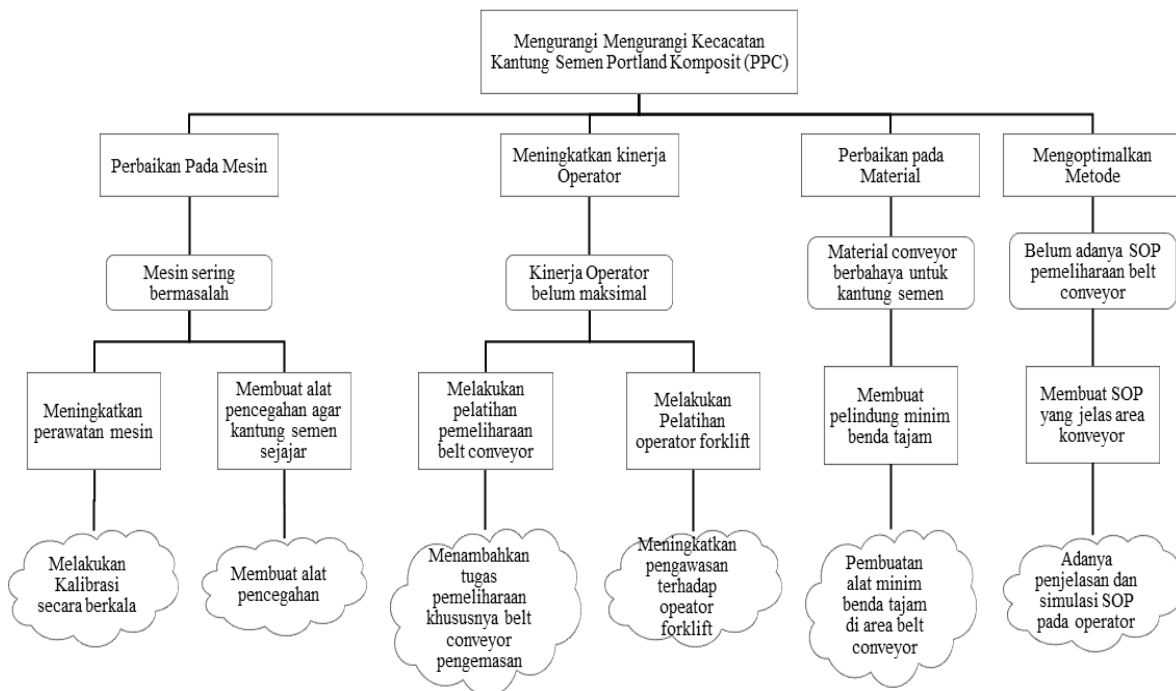
1 = Belum dilakukan

2 = Dilakukan

3 = Sering dilakukan

3.3.4 Process Decision Program Chart

Tools terakhir ini digunakan untuk mendapatkan hasil yang diinginkan dengan mengevaluasi kemajuan dari peristiwa dan variasi hasil yang mungkin. Perbaikan pada mesin dilakukan 2 langkah, perbaikan pada peningkatan kinerja operator terdiri dari 2 langkah, perbaikan pada material dengan cara dengan membuat pelindung *minim* benda tajam, pengoptimalan metode dengan merancang penjelasan dan simulasi SOP pada operator. *Process Decision Program Chart* pada penelitian ini dapat dilihat pada gambar berikut :



Gambar 4. Process Decision Program Chart

3.3. Usulan Perbaikan

Dari hasil *new seven tools*, tahap selanjutnya adalah menerapkan usulan

perbaikan. Tahap perbaikan yang digunakan yaitu metode *Poka Yoke*. *Poka yoke* merupakan metode yang digunakan untuk mencegah terjadinya kesalahan. *Tools* yang digunakan pada tahap ini adalah 5W + 1H. Faktor yang digunakan pada *tools* ini adalah mesin, manusia, material, dan metode. Tabel berikut ini adalah hasil 5W+1H untuk setiap faktor :

Tabel 5. Analisis 5W + 1H Pada Mesin

Permasalahan	Pernyataan	Deskripsi	Tindakan	
Mesin	What (apa)	Apa yang harus dilakukan?	Meningkatkan perawatan terhadap setiap mesin-mesin pada proses pengantongan semen	
		Membuat alat pencegahan agar kantung semen tidak menyentuh batas belt conveyor		
Kurang Perawatan pada belt conveyor & Kantung semen tidak sejajar dan menyentuh batas belt conveyor	Why (mengapa)	Mengapa harus dilakukan?	Untuk mencegah terjadinya kecacatan robeknya kantung semen	
		Where (dimana)	Dimana harus dilakukan?	Di belt conveyor proses pengemasan Plant 7
		When (kapan)	Kapan dapat dilakukannya?	Mulai berkala selama 6 & Secepatnya
		Who (siapa)	Siapa yang harus melakukannya?	PT. Indocement Tunggal Prakarsa Tbk
	How (bagaimana)	Bagaimana cara melakukannya?	Melakukan kalibrasi secara berkala Membuat alat pencegahan	

Tabel 6. Analisis 5W + 1H Pada Manusia

Permasalahan	Pernyataan	Deskripsi	Tindakan	
Operator	What (apa)	Apa yang harus dilakukan?	Melakukan pelatihan dalam pemeliharaan area belt conveyor Melakukan Pelatihan/training kepada operator forklift	
		Why (mengapa)	Mengapa harus dilakukan?	Untuk mencegah terjadinya kecacatan robeknya kantung semen
Kurang pemahaman dalam pemeliharaan area belt conveyor & Operator Forklift kurang fokus	Where (dimana)	Dimana harus dilakukan?	Di belt conveyor proses pengemasan Plant 7	
		When (kapan)	Kapan dapat dilakukannya?	Secepatnya
		Who (siapa)	Siapa yang harus melakukannya?	PT. Indocement Tunggal Prakarsa Tbk
		How (bagaimana)	Bagaimana cara melakukannya?	Menambahkan tugas pemeliharaan khususnya belt conveyor pengemasan Meningkatkan pengawasan terhadap operator forklift

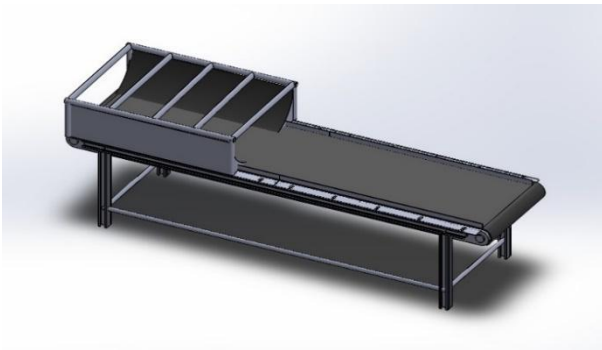
Tabel 7. Analisis 5W + 1H Pada Material

Permasalahan	Pernyataan	Deskripsi	Tindakan	
Material	What (apa)	Apa yang harus dilakukan?	Menambahkan pelindung khusus agar tidak terbentur langsung pada area tajam	
		Why (mengapa)	Mengapa harus dilakukan?	Untuk mencegah terjadinya kecacatan robeknya kantung semen
Material pada pembatas belt conveyor tajam dapat merobek kantung semen	Where (dimana)	Dimana harus dilakukan?	Di belt conveyor proses pengemasan Plant 7	
		When (kapan)	Kapan dapat dilakukannya?	Setelah melakukan perancangan
		Who (siapa)	Siapa yang harus melakukannya?	PT. Indocement Tunggal Prakarsa Tbk
		How (bagaimana)	Bagaimana cara melakukannya?	Melakukan pembuatan alat minim benda tajam di area belt conveyor

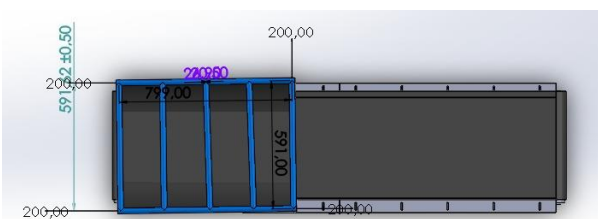
Tabel 8. Analisis 5W + 1H Pada Metode

Permasalahan	Pernyataan	Deskripsi	Tindakan	
Metode	What (apa)	Apa yang harus dilakukan?	Membuat SOP yang jelas pada area conveyor	
		Why (mengapa)	Mengapa harus dilakukan?	Untuk mencegah terjadinya kecacatan robeknya kantung semen
Tidak adanya SOP pemeliharaan pada belt conveyor	Where (dimana)	Dimana harus dilakukan?	Di belt conveyor proses pengemasan Plant 7	
		When (kapan)	Kapan dapat dilakukannya?	Setiap 6 bulan sekali atau ketika terdapat kantung semen rusak
		Who (siapa)	Siapa yang harus melakukannya?	PT. Indocement Tunggal Prakarsa Tbk
		How (bagaimana)	Bagaimana cara melakukannya?	Adanya penjelasan dan simulasi SOP pada operator maintenance

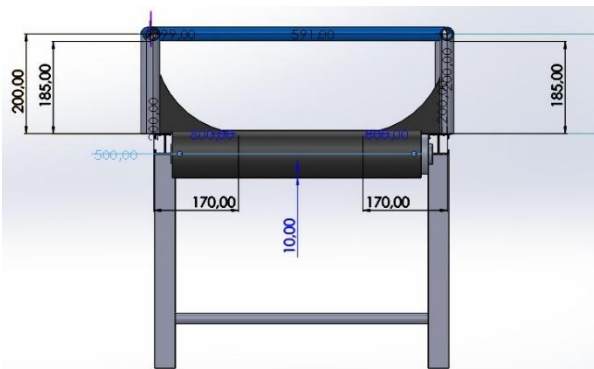
Berdasarkan analisis 5W+1H maka dapat diketahui dari usulan yang akan dibuat berdasarkan faktor mesin dan material maka akan dibuat usulan pencegahan kecacatan, dan pada faktor-faktor tersebut tindakan yang harus dilakukan ialah dengan membuat alat pencegahan agar kemasan semen lurus sejajar dan tidak menyentuh batas *belt conveyor* dan membuat kebijakan melakukan perancangan pembuatan alat minim benda tajam di area *belt conveyor*. Hasil rancangan dari *poka yoke* dengan menggunakan *software Solidworks* dapat dilihat pada gambar berikut :



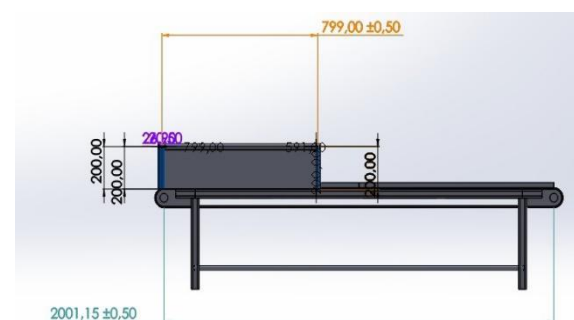
Gambar 5. Tampilan 3D Belt Conveyor



Gambar 6. Tampilan Atas Belt Conveyor



Gambar 7. Tampilan Depan Belt Conveyor



Gambar 8. Tampilan Sisi Kiri Belt Conveyor

Usulan yang dibuat yaitu dengan menambahkan material pada pembatas *belt conveyor* yang tajam agar kantung semen terhindar dari robek dengan membuat alat

pencegahan berupa material *rubber glossy* (karet licin) yang menyerupai tabung di sisi kanan dan kiri di atas *belt conveyor* memiliki lebar awal yaitu 500 cm dan mengerucut hingga 350 cm. Alat ini berfungsi untuk mencegah terjadinya kemasan semen menyentuh bagian pembatas *belt conveyor* setelah dilakukan pengisian pada kantung semen. Dan pada material *rubber glossy* yang bersentuhan langsung dengan kemasan semen bertujuan agar kemasan semen tidak mudah rusak maupun robek. Karena material pada kantung semen terbuat dari kertas maka ketika terbentur dengan material karet akan lebih aman dan mengurangi risiko bocor pada kemasan.

Cara kerja dari alat ini yaitu ketika kemasan semen selesai melakukan pengisian, maka kemasan semen yang telah terisi kantung semen akan melalui *belt conveyor* yang menuju pada pemuatan truk semen. Pada saat melewati *conveyor* karena menggunakan mesin otomatis maka kemasan semen akan miring atau tidak sejajar dengan *belt conveyor*. Ada alat tersebut maka dapat membantu kemasan semen sejajar dan tidak menyentuh batas *belt conveyor*. Dan material yang digunakan pada alat ini dapat mengurangi risiko bocor pada kemasan semen yang bermaterial kertas menjadikan lebih aman dan terhindar dari robek.

4. Kesimpulan

Dari penelitian yang dilakukan terdapat jenis kecacatan terbanyak pada produk kantung Semen Portland Komposit (PCC) berdasarkan dengan nilai *confidence* paling tinggi yaitu Kemasan rusak akibat material handling dan kemungkinan muncul bersama dengan Kemasan rusak akibat operator kurang teliti dengan nilai *confidence* sebesar 100% dan nilai support sebesar 16%. Diperoleh 4 faktor kecacatan pada produk kantung Semen Portland Komposit (PCC) PT Indocement Tunggul Prakarsa Tbk yaitu kemasan rusak akibat material handling dan kemasan rusak akibat operator kurang teliti, dapat dilihat dari mesin, operator, material dan metode sebagai berikut. Faktor mesin

terdapat dua penyebab yang mengakibatkan kerusakan pada kantung semen yaitu, kurangnya perawatan pada belt conveyor dan kemasan tidak sejajar dan menyentuh batas belt conveyor. Dari faktor operator terdapat dua penyebab yang mengakibatkan kerusakan pada kantung semen yaitu, kurangnya pemahaman dalam pemeliharaan area belt conveyor dan operator forklift kurang fokus. Dari faktor material terdapat satu penyebab yang mengakibatkan kerusakan pada kemasan yaitu, material pada pembatas belt conveyor tajam dapat merobek kantung semen. Dari faktor metode terdapat satu penyebab yang mengakibatkan kerusakan pada kemasan yaitu, Tidak adanya SOP pemeliharaan pada belt conveyor. Dan usulan perancangan untuk mencegah terjadinya kecacatan pada produk kantung Semen Portland Komposit (PCC) PT Indocement Tunggal Prakarsa Tbk yaitu berupa usulan dengan menambahkan material pada pada pembatas belt conveyor yang tajam agar kemasan terhindar dari robek dengan membuat alat pencegahan berupa material rubber glossy (karet licin) yang menyerupai tabung di sisi kanan dan kiri di atas belt conveyor memiliki lebar awal yaitu 500 cm dan mengerucut hingga 350 cm.

Saran pada penelitian ini diharapkan perusahaan membuat SOP yang jelas pada pemeliharaan area conveyor. Hal tersebut dilakukan pada belt conveyor proses pengemasan kantung semen, dengan membuat kebijakan melakukan penjelasan dan simulasi SOP pada operator maintenance untuk belt conveyor. Dan disarankan juga untuk mengadakan pelatihan rutin setiap 6 bulan sekali untuk merefresh ilmu yang didapat, dan melakukan pengawasan ketat setiap operator baru untuk training pertama masuk.

Daftar Pustaka

Alan Febryansyah, E., Nova Raja, V. L., & Kurnia, I. (2022). Analisis Pengendalian Kualitas Dalam Upaya Meminimalisasi Kerusakan Pada Buah Dengan Metode New Seven Quality Tools (Studi Kasus Di Pt Lion

Super Indo). *Jurnal Indusrikrisna*, 11(2), 49–56.

Ambar, I. S., & Bernik, M. (2018). Penggunaan New And Old Seven Tools Dalam Penerapan Six Sigma Pada Pengendalian Kualitas Produk Stay Headrest. *Jurnal Ekonomi Manajemen & Bisnis*, 19(1).

Aziza, N., & Setiaji, F. B. (2020). Pengendalian Kualitas Produk Mebel Dengan Pendekatan Metode New Seven Tools. *Teknika : Engineering and Sains Journal*, 4(1), 27–34.

Febria Suci, Y., Novia Nasution, Y., Nanda, D., & Rizki, A. (2017). Penggunaan Metode Seven New Quality Tools dan Metode DMAIC Six Sigma Pada Penerapan Pengendalian Kualitas Produk (Studi Kasus : Roti Durian Panglima Produksi PT. Panglima Roqiiqu Group Samarinda). *Jurnal EKSPONENSIAL*, 8(1).

Wahyuni, Hana C., & Sulistiyowati, W., (2020). *Buku Ajar Pengendalian Kualitas Industri Manufaktur Dan Jasa* (1 Ed.). Umsida Press.

Pahlevi, O., Sugandi, A., Bina Sarana Informatika Jl Kamal Raya No, U., & Barat, J. (2018). Penerapan Algoritma Apriori Dalam Pengendalian Kualitas Produk Ita Dewi Sintawati. *Jurnal & Penelitian Teknik Informatika*, 3(1).

Permono, L., Salmia, S. T., Septiari, R., Program,), & Industri, S. T. (2022). Penerapan Metode Seven Tools Dan New Seven Tools Untuk Pengendalian Kualitas Produk (Studi Kasus Pabrik Gula Kebon Agung Malang). *Jurnal Mahasiswa Teknik Industri*, 5(1).

Prabowo Rony, W. S. (2020). Integrasi New Seven Tools dan TRIZ (Theory of Inventive Problem Solving) untuk Pengendalian Kualitas Produk Kran (Studi Kasus : PT Ever Age Valves Metals - Wringinanom, Gresik). *Jurnal Teknik Industri*, 10(1), 22–30.

Rahayuningtyas, W. (2017). *Analisis Pengendalian Kualitas Pada Produk Tahu Baxo Ibu Pudji Menggunakan Metode New Seven Tools (Studi Kasus pada CV. Pudji Lestari Sentosa)*.

Saefudin, & Fernando, D. (2020). Penerapan Data Mining Rekomendasi Buku Menggunakan Algoritma Apriori. *Jurnal Sistem Informasi*, 7(1), 50–56.

- Talenta, S. P., & Zaqi Al-Faritsy, A. (2022). *Penggunaan Metode Dmaic Dan Poka Yoke Dalam Meminimalkan Terjadinya Cacat Produk Manhole Cover Using Dmaic And Poka Yoke Methods To Minimize Manhole Cover Product Defects*. 13(2), 154–161. <https://doi.org/10.34001/jdpt.v12i2>
- Wisnubroto, P., & Rukmana, A. (2015). *Pengendalian Kualitas Produk Dengan Pendekatan Six Sigma Dan Analisis Kaizen Serta New Seven Tools Sebagai Usaha Pengurangan Kecacatan Produk*. Dalam *Jurnal Teknologi* (Vol. 8, Nomor 1).
- Yanti Nababan, N., Faizal, A., Edgar Jatnika, M., & Teknik, F. (2020). *Usulan Perbaikan Defect Pada Sablon Plastik Menggunakan Metode Poka Yoke Di Cv. Bayor Print 69*. Dalam *Jurnal Ilmiah Teknologi Informasi Terapan* (Vol. 6, Nomor 2).

Pembuatan Alat Pembentuk Produk Piring Berbahan Pelepah Bambu

Santo Ajie Dhewanto¹⁾, Dian Maulana²⁾

*Program Studi Teknik Mesin, Fakultas Teknologi Industri, Universitas Islam Indonesia
Jl. Kaliurang Km 14,5, Ngaglik, Sleman, Yogyakarta, 55581, Indonesia¹⁾²⁾
E-Mail : santo.ajie@uii.ac.id¹⁾*

ABSTRAK

Pelepah bambu merupakan salah satu bagian dari bambu yang belum banyak dimanfaatkan. Pelepah bambu saat ini lebih banyak dianggap sebagai sampah, sehingga perlu dilakukan suatu upaya untuk memanfaatkan bahan tersebut menjadi suatu produk, namun produk yang dibuat diharapkan bisa berkontribusi untuk meningkatkan kegunaan dari pelepah bambu tersebut juga akan mengurangi penimbunan sampah. Tujuan dari penelitian ini adalah membuat alat yang dapat membentuk pelepah bambu menjadi suatu produk dengan bentuk piring kue dengan pemanasan kompor berbahan bakar gas. Tahapan dalam pembuatan adalah dimulai dengan penetapan kriteria desain yaitu alat mampu bekerja pada tekanan 800 kPa, mudah dipindahkan, adaptif terhadap berbagai bentuk cetakan produk, menggunakan pemanas berbahan bakar gas. Setelah melakukan perancangan kemudian dilakukan analisis berbantuan perangkat lunak untuk mendapatkan desain struktur alat yang optimal. Setelah membuat dua alternatif desain, alternatif desain yang dipilih adalah yang kedua, karena alternatif desain pertama memiliki kekurangan pada komponen yang lebih banyak sehingga proses perakitan alat cenderung lebih lama, estimasi biaya yang dibutuhkan untuk memproduksi desain pertama juga cenderung lebih mahal. Alat pencetak produk dirancang menggunakan penekan hidrolik memanfaatkan dongkrak botol dan pencetak produk berbahan aluminium alloy dan frame berupa alloy steel. Pemanas yang digunakan pada alat ini berupa kompor yang dibuat menjadi otomatis untuk mengkondisikan suhu pada cetakan dengan rentang suhu 150-170°C. Pengujian alat pada penelitian ini dilakukan dengan pembuatan produk piring dengan beberapa variasi untuk mendapatkan hasil produk yang terbaik. Variasi yang digunakan adalah susunan perekatan dua pelepah secara sejajar dan menyilang. Selain itu juga diberikan variasi tanpa beban dan pemberian beban 1,5 kg pada produk setelah penekanan. Waktu tekan yaitu 5 menit, dengan pengkondisian sebelum penekanan dengan merebus pelepah bambu dengan air mendidih untuk memudahkan pembentukan pelepah bambu selama 5 menit, tekanan sebesar 800 kPa dengan suhu antara 150-170°C. Hasil terbaik didapatkan pada proses pencetakan piring dengan susunan lapisan menyilang dan proses saat pendinginan dilakukan pemberian beban pada produk sehingga produk tidak mengalami perubahan bentuk (melengkung).

Kata kunci : pelepah, bambu, dan hidrolik

Manufacture of Bamboo Sheath Dish Product Forming Tools

ABSTRACT

Bamboo sheaths are one part of bamboo that has not been widely used. Bamboo sheaths are now more widely considered as waste, so an effort needs to be made to utilize the material into a product, but the products made are expected to contribute to increasing the usefulness of the bamboo sheath and will also reduce landfilling. The purpose of this research is to make a tool that can shape bamboo sheath into a product in the form of a cake plate with heating a gas-fired stove. The stages in manufacturing are starting with the establishment of design criteria, namely the tool is able to work at a pressure of 800 kPa, easy to move, adaptive to various forms of product molds, using gas-fired heaters. After doing the design, a software-assisted analysis is carried out to obtain an optimal tool structure design. After making two design alternatives, the design alternative chosen is the second, because the first design alternative has shortcomings in more components so that the tool assembly process tends to be longer, the estimated cost needed to produce the first design also tends to be more expensive. Product former are designed using

hydraulic presses utilizing bottle jacks and product mold made of aluminum alloy and alloy steel frames. The heater used in this tool is in the form of a stove that is made automatic to condition the temperature in the mold with a temperature range of 150-170 °C. Tool testing in this study was carried out by making plate products with several variations to get the best product results. The variation used is the arrangement of gluing two sheaths parallel and crossed. In addition, a no-load variation and 1.5 kg of load are also given to the product after pressing. The press time is 5 minutes, with conditioning before pressing by boiling the bamboo sheath with boiling water to facilitate the formation of the bamboo sheath for 5 minutes, a pressure of 800 kPa with a temperature between 150-170 °C. The best results are obtained in the plate forming process with a cross-layer arrangement and the process when cooling is carried out by applying a load to the product so that the product does not change shape (curved).

Keywords: sheath, bamboo, and hydraulic

1. Pendahuluan

Tanaman bambu termasuk suku *Poaceae*, atau dikenal dengan *Gramineae*, bambu relatif mudah untuk dibedakan dengan tanaman lain karena memiliki jenis batang yang berbeda dan biasanya tumbuh secara merumpun. Ciri-ciri bambu adalah memiliki batang berbentuk tabung dan beruas, setiap daun memiliki tangkai, bentuk percabangan kompleks, dan bunganya terdiri dari sekam kelopak dan sekam mahkota (Tika, Herawatiningsih, & Sisillia, 2020).

Bambu merupakan tanaman yang sudah dikenal oleh masyarakat Indonesia. Tanaman bambu biasanya tumbuh di tempat yang memiliki banyak mata air. Pohon bambu biasanya tumbuh di sekitar aliran irigasi atau aliran sungai. Di negara Indonesia bambu memiliki beberapa jenis dan memiliki karakter yang berbeda-beda. Jenis bambu yang dapat tumbuh di negara Indonesia diperkirakan sekitar 159 spesies dari total 1.250 jenis bambu yang terdapat di dunia. Sekitar 88 jenis bambu yang ada di negara Indonesia merupakan tanaman endemik atau tanaman asli negara Indonesia.

Beberapa jenis bambu yang tumbuh di Indonesia yaitu bambu apus, petung, ampel, wulung, dan bambu hias (Muhtar, Sinyo, & Ahmad, 2017). Bambu memiliki banyak manfaat bagi masyarakat Indonesia diantaranya adalah sebagai bahan konstruksi bangunan dan alat rumah tangga seperti kursi, meja dan tralis. Selain itu bambu juga banyak dimanfaatkan sebagai kerajinan dan juga

dapat dimanfaatkan sebagai bahan pangan atau yang biasa disebut dengan rebung bambu.

Sebagian besar masyarakat Indonesia hanya memanfaatkan bambu pada bagian batangnya saja. Jenis bambu yang sering dimanfaatkan sebagai kerajinan adalah bambu petung, padahal populasi bambu petung sangat sedikit sekali dan tumbuh pada bulan Desember sampai bulan Maret. Untuk jenis bambu yang lain juga sebagian besar hanya dimanfaatkan batangnya saja sebagai bahan konstruksi bangunan. Pelepah bambu hanya dimanfaatkan sebagai bahan baku membakar sampah dan ada juga yang memanfaatkan sebagai bahan membakar kayu untuk menyalakan kompor tradisional. Hampir sama dengan pelepah pinang, limbah dari pohon pinang dibiarkan tanpa ada pemanfaatan ditumpuk atau dibakar oleh masyarakat (Ramli, Syafriandi, Ratna, & Achmad, 2022).

Bambu memiliki beberapa manfaat bagi manusia. Salah satu manfaat bambu adalah daun bambu yang mengandung banyak zat aktif yang sangat bermanfaat bagi tubuh manusia diantaranya adalah flavonoid, polisakarida, klorofil, asam amino, vitamin, mikroelemen, dan sebagainya, sehingga baik untuk menurunkan kadar lemak darah dan kolesterol pada tubuh manusia. Daun bambu juga bisa menurunkan oksidasi antioksidan atau radikal bebas, sebagai bahan anti-penuaan, serta mampu menjaga stamina dan mencegah penyakit

kardiovaskular. Kandungan flavonoid daun bambu memiliki efek positif pada kemoterapi terhadap sumsum tulang dan imunitas tubuh, sehingga bisa memperbaiki aliran mikrovaskular bagi penderita jantung, fungsi trombosit, dan peredaran darah di otot jantung. Selain dijadikan sebagai bahan obat, bambu juga dimanfaatkan sebagai bahan kerajinan tangan, konstruksi bangunan, dan bahan makanan. Bambu sebagai bahan kerajinan tangan contohnya adalah vas bunga, tempat pensil, seruling, lampion, dan lain sebagainya. Bambu juga biasa dimanfaatkan sebagai bahan konstruksi bangunan yaitu sebagai pasak atap rumah, digunakan sebagai pembuatan tangga, dan ada juga yang memanfaatkan bambu sebagai pasak rumah. Selain itu bambu juga dimanfaatkan sebagai bahan makanan salah satu contoh bahan makanan yang terkenal di negara Indonesia berasal dari bambu muda adalah rebung (Gusmailina, 2012). Fungsi ekonomi bambu dapat menunjang sebagian kebutuhan manusia, memberikan pendapatan tambahan maupun bisa membuka kesempatan perekonomian baru diantaranya sebagai bahan konstruksi bangunan maupun kerajinan (Mainaki & Rendra, 2020). Bambu juga merupakan salah satu sumber serat alami, dengan kemampuan tumbuh cepat dan memiliki kekuatan mekanik yang baik, sehingga serat bambu bisa digunakan untuk membuat piring ramah lingkungan yang dapat menggantikan piring plastik (Martinus, 2023).

Alat tekan hidrolik merupakan alat yang digunakan untuk pekerjaan di bidang penekanan. Alat pres hidrolik ini digunakan untuk melakukan proses pres dengan menggunakan tekanan tertentu sesuai dengan tujuan yang diharapkan. Seiring dengan berjalannya waktu, alat pres hidrolik ini tidak hanya digunakan di bidang otomotif saja, akan tetapi masyarakat memanfaatkannya di bidang produksi kerajinan dan alat rumah tangga (Arfinda, 2020).

Arduino merupakan platform komputasi fisik dengan basis sirkuit input/output (I/O) sederhana dan lingkungan pengembangan yang mengimplementasikan bahasa pemrosesan. Arduino biasa digunakan untuk mengembangkan obyek interaktif yang berdiri sendiri ataupun dapat dihubungkan dengan perangkat lunak pada sebuah komputer (Sokop, Mamahit, & Sompie, 2016).

Dewasa ini, dirasakan sangat sulit menghindari penggunaan plastik, terutama sebagai kemasan makanan sekali pakai. Penggunaan plastik sekali pakai sebagai tempat makanan sangat sering kita jumpai meskipun diketahui bahwa beberapa jenis plastik mengandung racun seperti styrene, bisphenol A, dan formaldehida (Husaina, Alalyanib, & Hanga, 2015).

Perancangan alat tekan untuk mencetak produk rumah tangga berupa piring berbahan dasar pelepah pinang yang tidak melelehkan, tidak berkarat, rangka kokoh dan stabil, ergonomis, dan cetakan bisa diganti. Alat rumah tangga yang dicetak berupa piring dari pelepah pinang. Alat yang dibuat terdiri atas *regulator heater*, rangka, plat pencetak, dan kempa atau pres berupa dongkrak hidrolik. Material yang digunakan untuk pencetak berupa aluminium dimana memiliki konduktivitas panas yang baik dan memiliki koefisien muai panas yang rendah sehingga tidak terjadi perubahan bentuk pada suhu di atas 100°C. Untuk plat pencetak yang digunakan memiliki dimensi 30 cm x 30 cm dengan ketebalan 3 cm sampai 4 cm. Untuk rangka yang dibuat memiliki dimensi tinggi 210 cm, lebar 60 cm dan panjang 120 cm. Pemanas yang digunakan berupa pemanas listrik dan juga bisa menggunakan pemanas berenergi gas. Proses yang dilakukan saat pencetakan adalah suhu 110°C-170°C dengan penekanan 500-800 kPa (Syahrul dan Yernisa, 2020).

Pada penelitian ini akan melakukan perancangan alat untuk mengoptimalkan manfaat dari pelepah bambu yang belum

dimanfaatkan menjadi bisa dimanfaatkan khususnya bambu jenis apus yang dapat tumbuh setiap bulan dan dapat ditemukan di seluruh wilayah Indonesia. Selain itu, akan dilakukan analisis tegangan dengan bantuan perangkat lunak *solidworks*. Produk yang akan dicetak pada perancangan ini adalah piring kue dengan bentuk yang sederhana.

2. Metodologi

Dalam melakukan perancangan alat cetak pelepah bambu terdapat tahapan observasi lapangan yang bertujuan untuk mengumpulkan data penelitian yang selanjutnya akan diidentifikasi untuk menentukan konsep desain alat cetak pelepah bambu. Berdasarkan observasi lapangan tersebut, disusun kriteria desain alat.

2.1 Kriteria Desain

Sebelum melakukan perancangan alat cetak pelepah bambu, perlu menentukan kriteria perancangan yang akan menjadi acuan dalam pembuatan alat cetak pelepah bambu. Terdapat dua jenis kriteria, yaitu kriteria *must* yang artinya kriteria yang harus ada dalam alat cetak pelepah bambu dan kriteria *want* yang artinya adalah kriteria tambahan yang diinginkan untuk alat cetak pelepah bambu (Harsokoesoemo, 2004). Berikut merupakan kriteria-kriteria pada perancangan alat cetak pelepah bambu.

Kriteria *Must*

1. Alat mampu menahan tekanan 800 kPa.
2. Alat memiliki ukuran panjang x lebar tidak lebih dari 50 cm x 50 cm dan *portable*.
3. Dapat digunakan untuk pres ke bentuk yang lain dengan cara mengganti cetakan presnya, atau mudah dalam penggantian alat cetaknya (*molding*).
4. Memiliki pemanas yang dapat diukur suhunya ke dalam °C.
5. Memiliki pengatur gas yang digunakan untuk proses pemanasan untuk

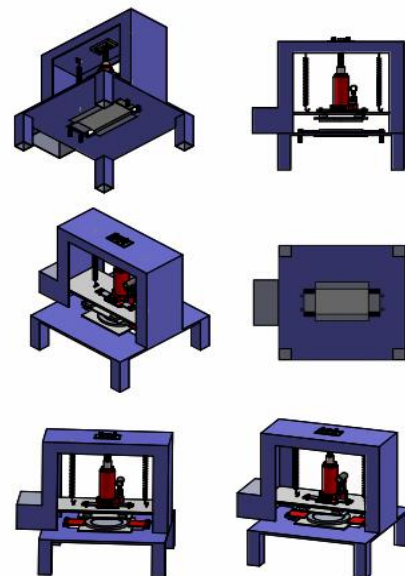
mengontrol suhu yang dibutuhkan sesuai keperluan.

Kriteria *Want*

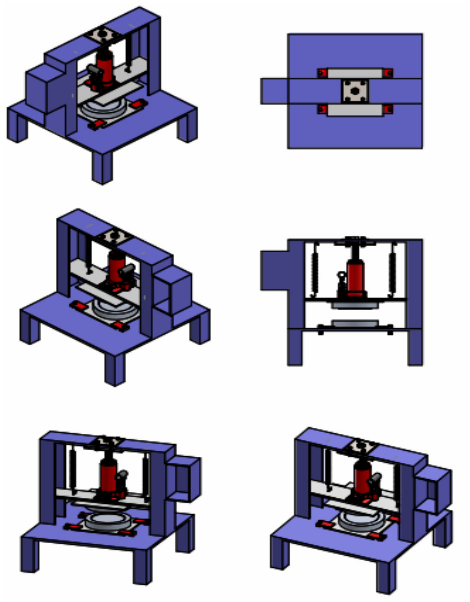
1. Mudah dalam menggunakan alat cetak pelepah bambu.
2. Alat mudah dipindahkan.
3. Saat pengerjaan dapat dilakukan diatas meja dan juga di tanah/lantai karena dimensi yang relatif kecil (50 cm x 50 cm).

2.2 Alternatif Desain

Alternatif pemilihan desain sangat diperlukan dalam proses perancangan sebagai perbandingan mekanisme mana yang lebih baik untuk digunakan. Alternatif desain dilakukan sebelum menentukan desain akhir yang dipilih untuk dijadikan desain utama kemudian dirancang, dibawah ini merupakan gambar model alternatif desain yang dibuat untuk dipilih yang terbaik pada Gambar 1 dan Gambar 2.



Gambar 1. Alternatif Desain 1.



Gambar 2. Alternatif Desain 2.

Tabel 1 menunjukkan kelebihan dan kekurangan masing-masing alternatif desain. Data perbandingan tersebut digunakan sebagai dasar pemilihan desain terbaik.

Tabel 1. Perbandingan alternatif desain.

Parameter	Desain 1	Desain 2
Kelebihan	<ul style="list-style-type: none"> - Alat lebih kuat karena tebal material 15 mm - Hanya membutuhkan kunci 12 untuk <i>assembly</i> karena <i>jig</i> dipasang dengan <i>bolt</i> dan <i>nut</i> M8 . - Alat mudah dibawa kemana-mana (<i>portable</i>) - Posisi kabel dan kontroler aman dari api karena terdapat tempat untuk 	<ul style="list-style-type: none"> - Alat lebih ringan karena material memiliki tebal 10mm - Alat mudah dibawa kemana-mana (<i>portable</i>) - <i>Assembly</i> lebih ringkas karena karena tidak terlalu banyak <i>jig</i> - Posisi dongkrak lebih stabil karena dongkrak disatukan dengan <i>bolt</i> m4 dengan penekan

	<p>kontroler</p> <ul style="list-style-type: none"> - Peletakan kontroler berada di bawah membuat kabel yang digunakan untuk kontroler cenderung lebih pendek 	<p>sehingga dongkrak lebih <i>fix</i> dan tidak mengganggu saat proses pres</p> <ul style="list-style-type: none"> - Posisi kabel dan kontroler aman dari api karena terdapat tempat untuk kontroler - Proses pembuatan alat lebih cepat karena hanya membuat 4 <i>jig</i> saja - Lebih efisien material - Kontroler lebih aman karena berada di bagian atas jauh dari panas api
Kekurangan	<ul style="list-style-type: none"> - <i>Assembly</i> relatif lebih membutuhkan waktu yang lama karena terdapat banyak <i>jig</i> dan harus memposisikan dongkrak agar tidak bergerak saat melakukan produksi. - Alat lebih berat dari desain 2 - Proses pembuatan alat lebih lama karena 	<ul style="list-style-type: none"> - <i>Assembly</i> membutuhkan 2 kunci yaitu skrup dan kunci pas atau ring ukuran 12 - Kekuatan material lebih kecil dari desain 1 karena ketebalan hanya 10 mm - Membutuhkan kabel yang lebih panjang dari alternatif desain 1 untuk kontrolernya

	<p>harus membuat <i>jig</i> 8 buah dimana 4 untuk <i>molding</i> bawah dan 4 untuk <i>jig</i> dongkrak</p> <p>- Kontroler lebih dekat dengan pemanas api sehingga rawan terkena panas yang membuat kerusakan pada kontroler</p>	
--	---	--

3. Hasil dan Pembahasan

3.1 Hasil Pemilihan Alternatif Desain

Dari kedua alternatif desain yang telah dibuat, alternatif desain yang dipilih adalah alternatif desain 2. Hal ini dikarenakan alternatif desain 1 lebih banyak memiliki kekurangan yaitu proses perakitan alat yang cenderung lebih lama dari desain 2 karena desain 1 menggunakan 8 buah *jig* dimana harus menetapkan posisi terlebih dahulu supaya alat cetak simetris dan tidak goyang ketika dilakukan untuk kegiatan produksi. Selain itu biaya yang dibutuhkan untuk memproduksi desain 1 cenderung lebih mahal daripada desain 2 karena material yang dibutuhkan lebih banyak dari desain 2. Oleh karena itu desain yang dipilih adalah alternatif desain 2 karena lebih memiliki keunggulan daripada dengan desain 1.

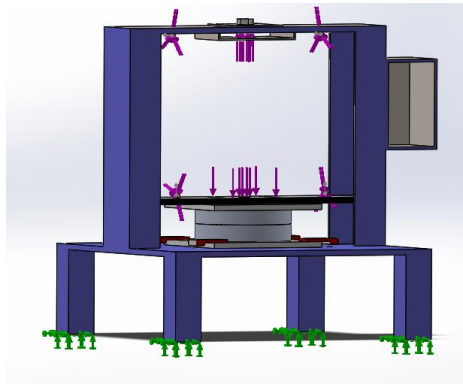
Alternatif desain alat cetak produk berbahan pelepah bambu menggunakan mekanisme yang mirip dengan penelitian yang sudah ada yaitu alat cetak piring dari pelepah pinang akan tetapi terdapat bagian yang dimodifikasi sehingga sesuai dengan kriteria desain yang dibutuhkan dan mampu menahan tegangan 800 kPa dan suhu 110-170°C. Cara kerja alat ini adalah dengan satu arah gaya yaitu arah sumbu y

atau arah vertikal, kemudian pengguna alat ini perlu melakukan penguncian pada dongkrak dan kemudian memompa dongkrak sampai cetakan menekan pelepah bambu dan kemudian ditahan dengan tekanan 500-800 kPa, suhu pemanas antara 110-170°C dalam waktu 5 sampai 10 menit. Setelah proses tekan selesai maka pengguna alat hanya melakukan pengendoran pada pengunci dongkrak dan secara otomatis cetakan akan naik karena ada gaya reaksi yang diberikan oleh spiral yang terhubung dengan *frame* bagian atas alat cetak pelepah bambu. Model alternatif desain 2 yang dipilih dapat dilihat pada Gambar 3. Hasil perancangan alat.

3.1 Hasil Perancangan Alat

Proses perancangan alat ini menggunakan *software solidworks 2021*. Proses perancangan ini dilakukan ketika semua aspek sudah memenuhi kriteria desain yang diinginkan mulai dari panjang dan lebar plat besi dan panjang besi UNP 10 untuk tinggi alat. Penentuan aspek diatas didapatkan melalui wawancara dengan pemilik UMKM di Seyegan Yogyakarta dengan menentukan dimensi alat dan jenis material yang mudah ditemukan sehingga ketika dilakukan *fabrikasi* penambahan alat, maka material mudah untuk mencarinya.

Proses perancangan ini memilih ukuran besi plat dengan panjang 500 mm dan lebar 500 mm dengan tujuan alat cetak pelepah bambu dapat diletakkan di atas meja dan juga bisa di lantai ketika melakukan proses produksi. Untuk tinggi alat dari dasar ke ujung *frame* adalah 550 mm sehingga saat proses produksi bisa dikerjakan dengan posisi duduk. Pada bagian *molding* dilengkapi dengan *bolt* ukuran M8 sebagai pengikat cetakan, sehingga bila alat cetak ini ingin digunakan untuk mencetak produk lain selain piring kue maka pengguna alat hanya mengganti cetakannya saja dan memasang cetakan pada alat cetak pres ini.



Gambar 3. Hasil Perancangan Alat.

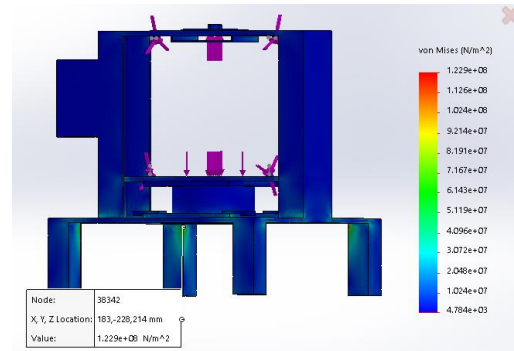
Proses pembuatan gambar perancangan ini dimulai dari proses pembuatan komponen dari 1 unit alat ini. Semua komponen pada gambar 3D di atas akan menghasilkan gambar yang mudah untuk dipahami. Proses perancangan alat ini menggunakan fitur *part* pada *software solidworks* untuk pembuatan semua komponennya, setelah semua komponen selesai didesain masuk pada bagian penggabungan komponen atau fitur *assembly* untuk menyatukan semua komponen yang sudah dibuat sehingga menghasilkan sebuah desain yang sempurna.

Hasil perancangan setelah semua komponen di rakit menjadi satu kesatuan alat kemudian masuk pada bagian analisis sebelum alat masuk pada bagian pembuatan, alat harus diuji terlebih dahulu apakah semua komponen dan material yang dipilih untuk alat ini sudah mampu menerima semua tekanan yang diberikan saat proses produksi produk.

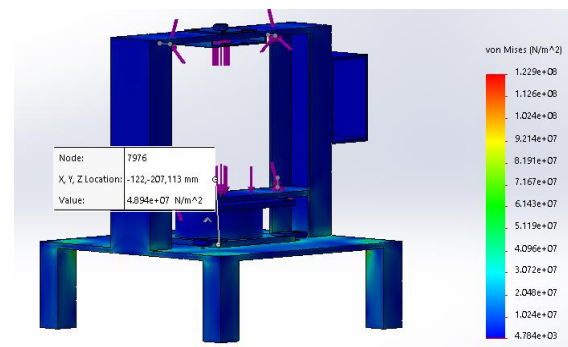
3.2 Hasil Analisis Kekuatan Struktur

Analisis kekuatan struktur alat ini bertujuan untuk mengetahui kemampuan dari alat yang dirancang ketika menerima besar gaya yang telah ditentukan yaitu sebesar 8000 N, 565,2 N, 40,192 N. Material yang digunakan pada alat ini adalah material *alloy steel* untuk *frame* alat pres dan *aluminium alloy* untuk cetakan produk. Penggunaan material ini dikarenakan material ini cukup mudah untuk ditemukan dan juga tegangan luluh

dari material ini cukup besar dengan besaran tegangan luluh adalah 620,4 MPa untuk *alloy steel* dan 96,5 MPa untuk *aluminium alloy*. Hasil *Stress Analysis* Alat cetak produk berbahan pelepeh bambu pada material *alloy steel* dan Gambar 4. Sedangkan hasil *stress analysis* alat cetak produk berbahan pelepeh bambu pada material *aluminium alloy* ditunjukkan oleh Gambar 5.



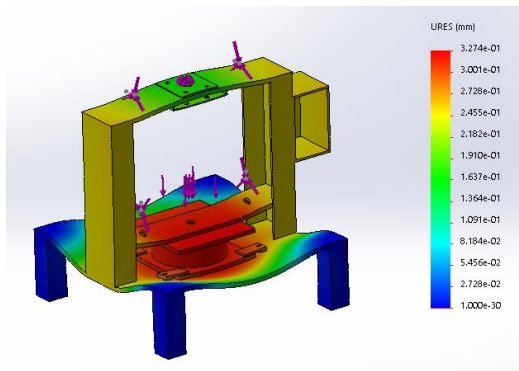
Gambar 4. Hasil *stress analysis* alat cetak produk berbahan pelepeh bambu pada material *alloy steel*.



Gambar 5. Hasil *stress analysis* alat cetak produk berbahan pelepeh bambu pada material *aluminium alloy*.

Hasil dari *stress analysis* alat cetak produk berbahan pelepeh bambu menunjukkan tegangan maksimal yang terjadi pada *frame* sebesar 122,9 MPa. Tegangan luluh material *alloy steel* masih cukup tinggi yaitu 620 MPa. Bagian yang terkena tegangan maksimal adalah komponen kaki kaki bagian dalam pada *frame*. Pada bagian cetakan tegangan terbesar yang terjadi adalah 48,9 MPa. Sedangkan tegangan luluh material

aluminium alloy adalah 95,5 MPa. Bagian yang terkena tegangan terbesar adalah pada bagian sudut pada plat aluminium. Hasil ini menggambarkan bahwa alat yang dibuat masih aman dan mampu menerima besaran gaya yang diberikan dikarenakan *yield strength* lebih besar daripada *stress* yang terjadi. Dengan ini alat cetak produk berbahan pelepah bambu ini dinyatakan aman. Sedangkan untuk hasil perubahan bentuk (*displacement*) pada alat ini dapat dilihat pada Gambar 6.



Gambar 6. *Displacement* alat cetak produk berbahan pelepah bambu.

Pada alat cetak produk berbahan pelepah bambu ini perubahan bentuk terbesar yang terjadi adalah 0,3261 mm pada bagian cetakan dan *frame* tengah. Perubahan bentuk yang terjadi masih tergolong sangat kecil dan kondisi material masih dapat dinyatakan dalam kondisi normal karena perubahan bentuk yang terjadi tidak terlalu signifikan.

3.3 Hasil Pembuatan Alat

Setelah proses perancangan selesai masuk pada bagian pembuatan alat, alat yang akan dibuat sesuai dengan prosedur yang telah ditentukan ada beberapa proses yang akan dilalui saat proses pembuatan alat dari proses pemotongan, *drilling*, *tapping*, pengecoran, pembubutan, pengelasan dan proses *assembly*. Hasil pembuatan prototipe alat ditunjukkan oleh Gambar 7.



Gambar 7. Prototipe alat tekan.

3.4 Pembuatan Produk menggunakan Alat Tekan

Setelah dilakukan pembuatan alat tekan dan kompor otomatis maka dilakukan percobaan menggunakan pelepah bambu apus dengan menempelkan dua pelepah bambu apus kemudian ditempelkan menggunakan lem food grade dan selanjutnya dilakukan proses penekan menggunakan tekanan 800 kPa dan dipanaskan menggunakan suhu rentang 150°C sampai 170°C dan ditahan selama 5 menit. Pada percobaan proses penekanan dilakukan menggunakan beberapa variasi, yaitu penempelan dua pelepah pelepah posisi sejajar dan penempelan dua pelepah pelepah posisi menyilang/tegak lurus, lihat Gambar 8-9. Selain itu, terdapat variasi posisi dua pelepah vertikal dengan pembebanan 1,5 kg saat pendinginan dalam suhu ruangan dan variasi posisi dua pelepah yang menyilang dengan pembebanan 1,5 kg saat pendinginan dalam suhu ruangan.



Gambar 8. Proses posisi penekanan dua pelelah menyilang/tegak lurus



Gambar 11. Percobaan 2.



Gambar 9. Proses posisi penekanan dua pelelah vertikal/sejajar



Gambar 12. Percobaan 3.

Pada beberapa variasi percobaan proses penekanan di atas maka didapatkan hasil seperti pada gambar berikut :



Gambar 10. Percobaan 1.



Gambar 13. Percobaan 4.



Gambar 14. Percobaan 5.

Gambar 10 merupakan percobaan dengan pendinginan suhu ruang diberi pembebanan 1,5 kg dengan posisi pelepah menyilang atau tegak lurus. Pada Gambar 11 merupakan percobaan dengan posisi perekatan pelepah menyilang. Gambar 12 merupakan percobaan perekatan dengan posisi pelepah sejajar dan diberi beban 1,5 kg. Gambar 13 merupakan percobaan perekatan pelepah dengan posisi sejajar, dan Gambar 14 merupakan percobaan pelepah dengan posisi sejajar dengan pelepah yang disambung. Pada percobaan 1 sampai percobaan 5 dilakukan pemilihan produk dengan kondisi fisik terbaik yaitu pada percobaan 1 yaitu dengan kondisi fisik yang terbaik dengan percobaan dengan pendinginan suhu ruang diberi pembebanan 1,5 kg dengan posisi pelepah menyilang atau tegak lurus. Pada percobaan 2 sampai percobaan 4 kondisi fisik produk kurang baik karena terjadi perubahan fisik yaitu produk menjadi melengkung. Pada Gambar 11 produk tidak begitu melengkung signifikan akan tetapi masih terjadi perubahan bentuk melengkung pada produk sehingga dipilih dengan kondisi fisik terbaik yaitu pada Gambar 10 dengan kondisi fisik yang tidak melengkung.

Pada perancangan ini terjadi beberapa permasalahan yang dapat diatasi dengan merubah beberapa komponen. Permasalahan yang pertama adalah dongkrak yang tidak terdapat manometer, sehingga ketika sedang dilakukan percobaan tidak dapat mengukur berapa besar tekanan yang paling baik untuk menghasilkan produk piring kue. Dengan adanya masalah ini maka dilakukan penambahan komponen manometer untuk mengukur tekanan oli yang terjadi pada dongkrak ketika dilakukan proses penekanan.

Selain itu permasalahan terjadi pada *microcontroller* yang digunakan untuk membuat kompor otomatis. Permasalahan yang terjadi adalah ketika akan menyalakan api maka terjadi proses percikan listrik pada kompor sehingga

terjadi proses grounding yang membuat lcd menjadi *error*, untuk mengatasi masalah tersebut maka harus melakukan proses *reset* pada *microcontroller* arduino untuk menampilkan parameter suhu pada layar lcd. Ketika terjadi error pada lcd *microcontroller* tetap membaca besar suhu yang terjadi sehingga jika tidak melakukan *reset* maka kompor akan berjalan semestinya, akan tetapi lcd tidak dapat mengeluarkan nilai suhu yang terjadi pada cetakan. Untuk itu perlu dilakukan proses penekanan tombol *reset* pada *microcontroller* arduino. Permasalahan *grounding* ini dapat diatasi dengan mendekati pematik api dengan *ground* sehingga proses *grounding* tidak terjadi signifikan sehingga akan meminimalisir terjadinya *error* pada lcd.

4. Kesimpulan

Berdasarkan Hasil perancangan dan penelitian dapat ditarik beberapa kesimpulan sebagai berikut.

1. Perancangan ini telah berhasil dibuat alat cetak produk berbahan pelepah bambu dengan pemanas berbahan bakar gas.
2. Hasil simulasi *stress analysis* alat cetak produk berbahan pelepah bambu menggunakan material *alloy steel* dan aluminium *alloy* menunjukkan bahwa alat mampu menerima tekanan sebesar 800 kPa, dibuktikan dengan *yield strength alloy steel* dan aluminium *alloy* lebih besar daripada tegangan yang terjadi.
3. Perancangan ini menunjukkan pelepah bambu dapat dimanfaatkan menjadi produk berupa piring kue yang dibentuk dengan perebusan menggunakan air mendidih selama 5 menit dan proses pembuatan produk menggunakan tekanan 800 kPa, susunan pelepah bambu menyilang, suhu 150-170 °C, durasi waktu 5 menit dan kemudian didinginkan dengan pembebanan 1,5 kg pada suhu ruang.

Daftar Pustaka

- Arfinda B. (2020). Perancangan Alat Pencetak Piring Berbahan Pelepah Pinang Menggunakan Metode Verein Deutsche Ingenieure VDI 2222. Pekanbaru: Penerbit UIN Sultan Syarif Kasim Riau.
- Gusmailina. (2012). Kenali Manfaat Dan Khasiat Bambu. Pusat Litbang Keteknikan Kehutanan dan Pengolahan Hasil Hutan Bogor.
- Hafids, Yernisa. (2020). Pengembangan Alat Pencetak Piring Pelepah Pinang(*Areca catechu L.*) Dengan Menggunakan Metode Quality Function Deployment. JRPB, Vol. 8, No. 2., 236-243
- Harsokoesoemo, H. D. (2004). Pengantar Perancangan Teknik. *Institut Teknologi Bandung: Bandung.*
- Husaina, I., Alalyanib, M., dan Hanga, A. H. (2015). *Disposable plastic food container and its impacts on health. The Journal of Energy and Environmental Science*, 130(12), 618–623.
- Mainaki R., Maliki, R. Z. (2020). Pemanfaatan Keanekaragaman Bambu Secara Hidrologis, Ekonomis, Sosial Dan Pertahanan. *Jurnal Kajian Ilmu dan Pendidikan Geografi* Volume 4 Nomor 1 Juni 2020
- Martinus. (2023). Rekayasa Pembuatan Piring Sekali Pakai Berbahan Dasar Daun. Fakultas Pertanian Universitas Lampung.
- Muhtar D.F., Sinyo Y., Ahmad H. (2017). Pemanfaatan tumbuhan bambu oleh masyarakat di kecamatan Oba Utara kota Tidore Kepulauan. *Jurnal. Saintifik@ MIPA*. Vol 1 (1)
- Ramli I, Syafriandi, Ratna, Achmad A. (2022) Rancang Bangun Dan Pengujian Alat Hot Press Pelepah Pinang Sebagai Kemasan Di Desa Lamtamot Aceh Besar. *Prosiding KOPEMAS, Universitas Negeri Malang*. Vol 3.
- Sokop, S.J., Mamahit, D.J. Sompie, S.R.U.A. (2016) Trainer Periferal Antarmuka Berbasis Mikrokontroler Arduino Uno. *E-Journal Teknik Elektro dan Komputer* vol.5 no.3 (2016),
- Tika K., Herawatiningsih R., Sisillia L. (2020) Identifikasi Jenis Bambu yang dimanfaatkan di hutan Tembawang dusun Tekalong desa Setia Jaya kecamatan Teriak kabupaten Bengkayang. *JURNAL HUTAN LESTARI* (2020) Vol. 8 (4): 747 – 758

Optimistic Bias Pengguna Flight Simulator

Bagus Wahyu Utomo¹⁾, Esa Rengganis Suliartha²⁾, Prasadanto Nur Santoso³⁾

Program Studi Teknik Industri, Fakultas Teknologi Industri, Institut Teknologi Dirgantara Adisutjipto
Lanud Adisutjipto, Jl. Raya Janti, Bantul, D.I. Yogyakarta, 55191, Indonesia¹²³⁾

E-Mail : baguswahyu@itda.ac.id¹⁾, esarengganis@itda.ac.id²⁾, pras.industri@itda.ac.id³⁾

ABSTRAK

Optimistic bias adalah fenomena kognitif di mana seseorang cenderung meremehkan risiko negatif dan meremehkan peluang positif dalam konteks situasi atau keputusan. Sebuah studi menunjukkan bahwa peningkatan beban kerja mental dikaitkan dengan penurunan tingkat akurasi dalam mendeteksi informasi dan waktu reaksi yang lebih lama. Seorang pilot melakukan manuver lebih baik ketika respon stres nya lebih rendah. Berdasarkan latar belakang masalah tersebut perlu untuk dilakukan penelitian untuk mengetahui apakah pengguna *flight simulator* mengalami *optimistic bias*. Secara statistik dapat disimpulkan bahwa terdapat kesalahan sistematis / bias pada data akurasi estimasi skor penyelesaian tugas menggunakan *flight simulator*. Responden pengguna *flight simulator* terlalu optimis dalam mengestimasi nilai / skor penyelesaian tugas. Hasil dari penelitian ini adalah *optimistic bias* terjadi pada akurasi estimasi nilai / skor penyelesaian tugas menggunakan *flight simulator*. Berdasarkan hasil wawancara bahwa responden menginginkan nilai atau skor yang lebih baik pada penyelesaian tugas berikutnya. Hal inilah yang menjadi salah satu penyebab terjadinya *optimistic bias*.

Kata kunci: *Optimistic Bias*, *Flight Simulator*, Estimasi

ABSTRACT

Optimistic bias is a cognitive phenomenon in which a person tends to underestimate negative risks and underestimate positive opportunities in the context of a situation or decision. A study shows that increasing mental workload is associated with reduced levels of accuracy in detecting information and longer reaction times. A pilot maneuvers better when the stress response is lower. Based on the background of the problem, it is necessary to conduct research to find out whether flight simulator users experience an optimistic bias. Statistically, it can be concluded that there is a systematic error/bias in the accuracy of the estimation score of task completion using a flight simulator. Respondents who use flight simulators are too optimistic in estimating the value/score of task completion. The results of this study are that there is an optimistic bias in the accuracy of the estimated value/task completion score using a flight simulator. Based on the results of the interview, the respondent wanted a better grade or score when completing the next assignment. This is one of the causes of optimistic bias.

Keywords: *Optimistic Bias*, *Flight Simulator*, Estimation

1. Pendahuluan

Optimistic bias adalah fenomena kognitif di mana seseorang cenderung meremehkan risiko negatif dan meremehkan peluang positif dalam konteks situasi atau keputusan (Lebreton, Abitbol, Daunizeau, & Pessiglione, 2015; Putri & Robinson, 2011). Fenomena ini dapat mempengaruhi berbagai aspek kehidupan, seperti keputusan finansial,

kesehatan, investasi, dan lainnya (Sharot, Korn, & Dolan, 2011; Zimmermann, 2019). *Optimistic bias* dapat membuat seseorang merasa mereka tidak akan mengalami situasi krisis, seperti bencana alam atau keuangan. Ini dapat mengakibatkan kurangnya persiapan yang memadai (Sharot & Garrett, 2016). Sharot, Guitart-Masip, Korn, Chowdhury, &

Dolan, 2012; Sharot & Garrett, 2016; Sharot & Sunstein, 2020).

Simulasi penerbangan adalah pendekatan inovatif untuk mengajar siswa tentang fenomena sains abstrak dan konsep teknik dalam lingkungan teknologi tinggi. Selama lebih dari 30 tahun, simulasi penerbangan telah memberikan kontribusi besar untuk pelatihan di maskapai penerbangan sipil dan organisasi militer (Ng & Chu, 2021), sedangkan simulator penerbangan adalah kokpit pesawat terbang yang dipasang di darat untuk membantu melatih pilot dalam menerbangkan pesawat nyata dengan risiko rendah dan hemat biaya (Obaid & Mebayet, 2021).

Sebuah studi menunjukkan bahwa peningkatan beban kerja mental dikaitkan dengan penurunan tingkat akurasi dalam mendeteksi informasi dan waktu reaksi yang lebih lama. Selain itu, tingkat kedipan mata dan proses penilaian terhadap informasi juga menunjukkan penurunan secara signifikan dengan meningkatnya beban kerja mental (Wanyan, Zhuang, Lin, Xiao, & Song, 2018). Seorang pilot melakukan manuver lebih baik ketika respon stres nya lebih rendah (Cao, Macnaughton, Cadet, Cedeno-Laurent, Flanigan, Vallarino, Donnelly-McLay, Christiani, Spengler, & Allen, 2019). Kelelahan berhubungan negatif dengan kebahagiaan pilot, sehingga penting untuk disorot mengenai faktor kesehatan mental dari pilot (Demerouti, Veldhuis, Coombes, & Hunter, 2019).

Optimistic bias pada pilot dapat memiliki konsekuensi serius karena pekerjaan pilot memerlukan keputusan yang cepat dan tepat dalam situasi yang berpotensi berbahaya. Ini bisa mengakibatkan keputusan impulsif atau kurang dipertimbangkan yang dapat meningkatkan risiko kecelakaan.

Berdasarkan latar belakang masalah tersebut perlu untuk dilakukan penelitian untuk mengetahui apakah pengguna *flight simulator* mengalami *optimistic bias*.

2. Studi Literatur

Ergonomi kognitif adalah cabang dari ergonomi yang mempelajari bagaimana

manusia berinteraksi dengan sistem, perangkat, atau lingkungan dari segi mental dan kognitif. Ini melibatkan pemahaman tentang bagaimana manusia memproses informasi, membuat keputusan, dan beradaptasi dengan teknologi serta lingkungan mereka (Bertelson, Imbert, Kempson, Osherson, Schnelle, Streitz, Thomassen, & Viviani, 1987; Hollnagel, 2003; Lee & Krlik, 2013).

Estimasi adalah proses membuat perkiraan atau perhitungan mengenai nilai, jumlah, atau karakteristik suatu objek atau fenomena berdasarkan informasi yang tersedia atau data yang ada. Estimasi biasanya melibatkan penggunaan metode statistik, matematika, atau pengalaman sebelumnya untuk membuat prediksi atau perkiraan tentang suatu kejadian atau hasil di masa depan (Dehnad, 1987).

Pilot adalah seseorang yang memiliki kualifikasi dan keterampilan untuk mengoperasikan pesawat udara. Pilot dapat bekerja di berbagai bidang, termasuk penerbangan komersial, penerbangan umum, militer, atau penerbangan eksperimental (Stanton, Li, & Harris, 2017).

Pilot *flight simulator* adalah perangkat lunak atau peralatan yang mensimulasikan pengalaman penerbangan di lingkungan virtual (Cross, Boag-Hodgson, Ryley, Mavin, & Potter, 2023).

3. Metodologi

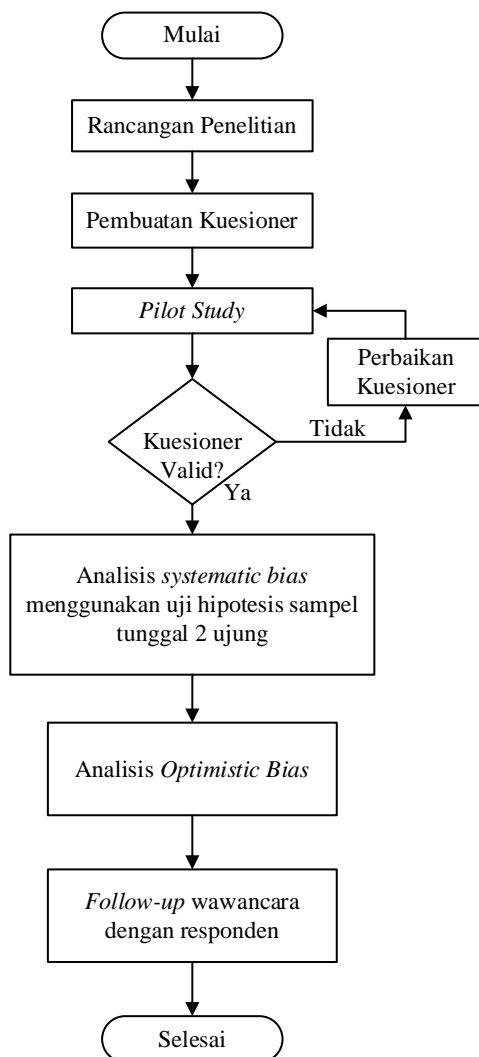
Responden dalam penelitian ini sudah memiliki pengalaman menggunakan hardware *flight simulator* dan menggunakan software *Microsoft flight simulator* dengan jumlah 32 orang. Pengambilan data dilakukan di laboratorium Institut Teknologi Dirgantara Adisutjipto Yogyakarta, ditunjukkan pada Gambar 1.



Gambar 1. Proses pengambilan data penelitian.

Flowchart penelitian ini ditunjukkan pada Gambar 2.

Pada analisis *overconfidence bias* terdapat analisis akurasi estimasi score penyelesaian tugas menggunakan *flight simulator* yang dilakukan untuk meninjau tingkat keakuratan antara estimasi skor dan aktualnya. Kemudian dilakukan uji hipotesis *mean sample* tunggal dua ujung untuk menguji kemungkinan adanya *systematic bias* dalam melakukan estimasi score.



Gambar 2. Flowchart Penelitian

Landasan *overconfidence* dibangun berdasarkan fakta terkemuka dari literatur psikologi sosial “*better than average*” (Malmendier & Tate, 2005). Ketika individu

menilai kemampuan relatif mereka, mereka cenderung untuk melebih-lebihkan kecerdasan relatif mereka terhadap rata-rata kemampuan. Faktor utama pemicu *overconfidence bias* adalah tingginya tingkat komitmen seseorang untuk mendapatkan hasil yang baik (ND, 1980).

Analisis faktor *overconfidence* dilakukan dengan *confidence level* 90%, untuk melihat kemampuan dari responden dalam melakukan estimasi *score* penyelesaian tugas menggunakan *flight simulator*. Untuk menganalisis kemungkinan *optimistic bias* yang terjadi, masing-masing set data estimasi tersebut dikurangi dengan data *score* aktual penyelesaian tugas, sehingga menghasilkan akurasi dari estimasi *score*. Rata-rata akurasi bernilai positif atau negatif merupakan petunjuk apakah estimasi yang dihasilkan mengalami *optimistic bias* atau tidak.

4. Hasil dan Pembahasan

Analisis *optimistic bias* akurasi estimasi dilakukan untuk melihat apakah terjadi kesalahan yang sistematis (bias) pada pengambilan keputusan ketika melakukan estimasi nilai penyelesaian tugas menggunakan *flight simulator*. Terdapat satu set data estimasi digunakan dalam analisis ini yaitu estimasi nilai / skor hasil dari software *flight simulator*.

Untuk menganalisis kemungkinan *optimistic bias* yang terjadi, masing-masing set data estimasi nilai tersebut dikurangi dengan data aktual nilai / skor dari *flight simulator*, sehingga menghasilkan akurasi dari estimasi nilai. Secara matematis dapat dituliskan sebagai berikut:

$$\text{Akurasi } (\Delta) \text{ estimasi} = \text{nilai estimasi} - \text{nilai aktual} \dots\dots\dots(1)$$

Analisis dilakukan dengan menguji secara statistik masing-masing set data tersebut dengan uji hipotesis *mean sample* tunggal kemudian dilanjutkan dengan uji t saling bebas untuk mengetahui kemungkinan adanya *systematic bias* dalam melakukan estimasi oleh pengguna *flight simulator*.

Uji hipotesis *mean sample* tunggal untuk analisis *optimistic bias* pada pengguna *flight simulator*, yaitu:

$H_0: \mu = 0$, menunjukkan tidak terdapat bias/kesalahan yang sistematis

$H_1: \mu \neq 0$, menunjukkan terdapat bias / kesalahan yang sistematis

$\alpha = 0,05_{two\ tailed}$

Tabel 1. Uji Hipotesis *Mean Sample* Tunggal

One-Sample Test						
Test Value = 0						
t	df	Sig. (2-tailed)	Mean Difference	95% Confidence Interval of the Difference		
				Lower	Upper	
Selisih	3,869	31	0.001	287,25	135,83	438,67
h	1					

Tabel 2. *One-Sample Statistics*

N	Mean	Std. Deviation	Std. Error Mean	
Selisih	32	287.2500	419.98310	74.24322

Berdasarkan hasil perhitungan pada tabel 1 menunjukkan bahwa *p-value* < $\alpha(0,05_{two\ tailed})$, sehingga dapat menolak H_0 . Secara statistik dapat disimpulkan bahwa terdapat kesalahan sistematis / bias pada data akurasi estimasi score penyelesaian tugas menggunakan *flight simulator*.

Pada tabel 2 ditunjukkan bahwa rata-rata selisih dari skor estimasi dan skor aktual adalah 287,24. Maka nilai estimasi lebih besar dari nilai aktual. Maka responden pengguna *flight simulator* terlalu optimis dalam mengestimasi nilai / skor penyelesaian tugas.

Berdasarkan Tabel 1 dan Tabel 2 *optimistic bias* terjadi pada akurasi estimasi nilai / skor penyelesaian tugas menggunakan *flight simulator*.

Berdasarkan hasil wawancara bahwa responden menginginkan nilai atau skor yang lebih baik pada penyelesaian tugas berikutnya. Hal inilah yang menjadi salah satu penyebab terjadinya *optimistic bias*.

4. Kesimpulan

Kesimpulan dari penelitian ini adalah bias terjadi pada responden dalam melakukan estimasi nilai / skor penyelesaian tugas. *Optimistic bias* terjadi pada pengguna *flight simulator* dalam melaksanakan / menyelesaikan tugasnya.

Optimistic bias terjadi salah satu penyebabnya dikarenakan pengguna *flight simulator* ingin mendapatkan nilai yang lebih baik dalam penyelesaian tugasnya.

Daftar Pustaka

- Bertelson, P., Imbert, M., Kempson, R., Osherson, D., Schnelle, H., Streitz, N., Thomassen, A. J. W. M., & Viviani, P. (1987). *Cognitive Ergonomics*. https://doi.org/10.1007/978-3-642-85276-3_5
- Cao, X., Macnaughton, P., Cadet, L. R., Cedeno-Laurent, J. G., Flanigan, S., Vallarino, J., Donnelly-McLay, D., Christiani, D. C., Spengler, J. D., & Allen, J. G. (2019). Heart rate variability and performance of commercial airline pilots during flight simulations. *International Journal of Environmental Research and Public Health*, 16(2). <https://doi.org/10.3390/ijerph16020237>
- Cross, J., Boag-Hodgson, C., Ryley, T., Mavin, T. J., & Potter, L. E. (2023). Using Extended Reality in Flight Simulators: A Literature Review. *IEEE Transactions on Visualization and Computer Graphics*, 29(9), 3961–3975. <https://doi.org/10.1109/TVCG.2022.3173921>
- Dehnad, K. (1987). Density Estimation for Statistics and Data Analysis. *Technometrics*, 29(4), 495. <https://doi.org/10.1080/00401706.1987.10488295>
- Demerouti, E., Veldhuis, W., Coombes, C., & Hunter, R. (2019). Burnout among pilots: psychosocial factors related to happiness and performance at simulator training. *Ergonomics*, 62(2), 233–245. <https://doi.org/10.1080/00140139.2018.1464667>

- Hollnagel, Erik (2003). Handbook of Cognitive Task Design. In *Handbook of Cognitive Task Design* (1st ed.). Lawrence Erlbaum Associates. <https://doi.org/10.1201/9781410607775>
- Lebreton, M., Abitbol, R., Daunizeau, J., & Pessiglione, M. (2015). Automatic integration of confidence in the brain valuation signal. *Nature Neuroscience*, *18*(8), 1159–1167. <https://doi.org/10.1038/nn.4064>
- Lee, J. D., & Krlik, A. (2013). The Oxford Handbook of Cognitive Engineering. In *The Oxford Handbook of Cognitive Engineering* (1st ed.). Oxford University Press. <https://doi.org/10.1093/oxfordhb/9780199757183.001.0001>
- Malmendier, U., & Tate, G. A. (2005). CEO Overconfidence and Corporate Investment. *SSRN Electronic Journal*. <https://doi.org/10.2139/ssrn.354387>
- ND, W. (1980). Unrealistic optimism about future life events. *Journal of Personality and Social Psychology*, *39*(39), 806–820.
- Ng, D. T. K., & Chu, S. K. W. (2021). Motivating Students to Learn STEM via Engaging Flight Simulation Activities. *Journal of Science Education and Technology*, *30*(5), 608–629. <https://doi.org/10.1007/s10956-021-09907-2>
- Obaid, M. S., & Mebayet, S. O. (2021). Drone controlled real live flight simulator. *Journal of Physics: Conference Series*, *1818*(1). <https://doi.org/10.1088/1742-6596/1818/1/012104>
- Puri, M., & Robinson, D. T. (2011). Optimism and Economic Choice. *SSRN Electronic Journal*. <https://doi.org/10.2139/ssrn.686240>
- Sharot, T., & Garrett, N. (2016). Forming Beliefs: Why Valence Matters. *Trends in Cognitive Sciences*, *20*(1), 25–33. <https://doi.org/10.1016/j.tics.2015.11.002>
- Sharot, T., Guitart-Masip, M., Korn, C. W., Chowdhury, R., & Dolan, R. J. (2012). How dopamine enhances an optimism bias in humans. *Current Biology*, *22*(16), 1477–1481. <https://doi.org/10.1016/j.cub.2012.05.053>
- Sharot, T., Korn, C. W., & Dolan, R. J. (2011). How unrealistic optimism is maintained in the face of reality. *Nature Neuroscience*, *14*(11), 1475–1479. <https://doi.org/10.1038/nn.2949>
- Sharot, T., & Sunstein, C. R. (2020). How people decide what they want to know. *Nature Human Behaviour*, *4*(1), 14–19. <https://doi.org/10.1038/s41562-019-0793-1>
- Stanton, N. A., Li, W. C., & Harris, D. (2017). Ergonomics and Human Factors in Aviation. In *Ergonomics* (Vol. 60, Issue 1). <https://doi.org/10.1080/00140139.2016.1262578>
- Wanyan, X., Zhuang, D., Lin, Y., Xiao, X., & Song, J. W. (2018). Influence of mental workload on detecting information varieties revealed by mismatch negativity during flight simulation. *International Journal of Industrial Ergonomics*, *64*, 1–7. <https://doi.org/10.1016/j.ergon.2017.08.004>
- Zimmermann, U. (2019). The Influential Mind: What the Brain Reveals About Our Power to Change Others. *Public Integrity*, *21*(1), 104–107. <https://doi.org/10.1080/10999922.2018.1511668>